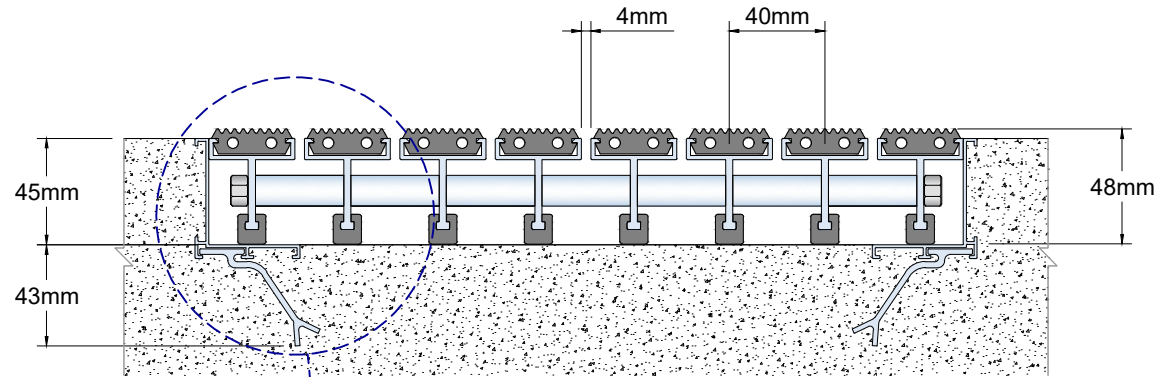
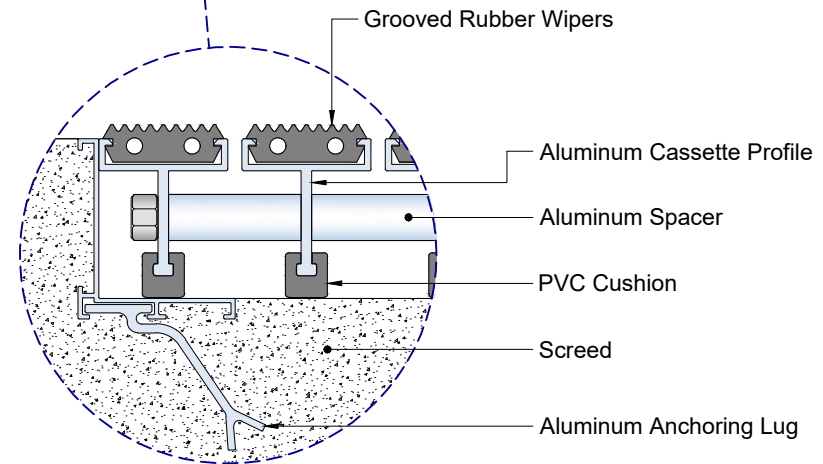


PLAN DETAIL



SECTION DETAIL



DETAIL NOTES:

1. Mat wipers must run perpendicular to traffic direction.
2. Wipers are available in Black colour only. Other colours available on special request.
3. Mat-Well frames available upon request.
4. Installation to be completed in accordance with manufacturer's specifications.
5. All Dimensions are considered true and reflect manufacturer's specifications.
6. Bigger grids be created on site by interconnecting small mats.
7. Do not scale drawing.

Project Name :	STREET FIGHTER (LEVEL BASE FRAME INSTALLATION)
Customer :	
Location :	

Matting Code:	Drawn By:	Date:
	Checked By:	Date:
	Rev: 01	Sheet:

100-1075 North Service Rd. W, Oakville On L6M2G2, Canada



100-1075 North Service Rd. W, Oakville
On L6M2G2, Canada