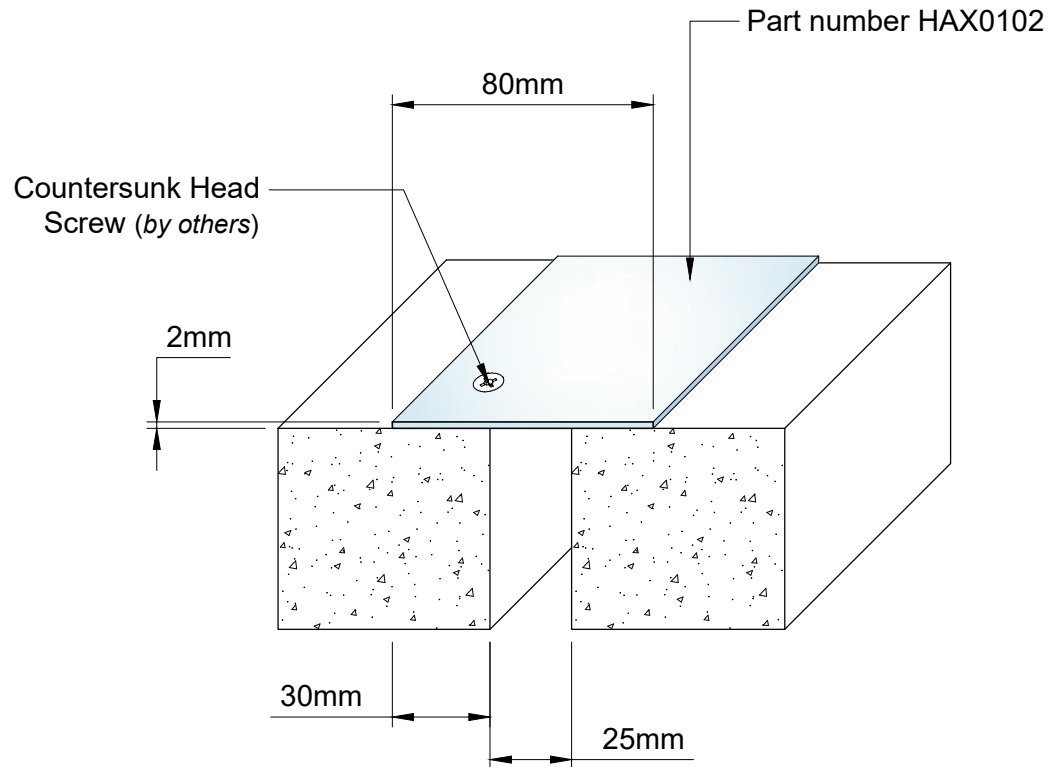


HAS025-WL SYSTEM



Technical Data

Joint Width	25mm
Movement (<i>Expansion</i>)	50%
Movement (<i>Contraction</i>)	50%
Movement (<i>Shear</i>)	*
Load	*

Date:	Scale: NTS
Rev:	Drawn by: AV

Application:
Expansion Joint Cover for Wall to Wall Condition



PROSPEC SPECIALTIES INC.

100-1075 North Service Rd. W,
 Oakville On L6M2G2,
 Canada

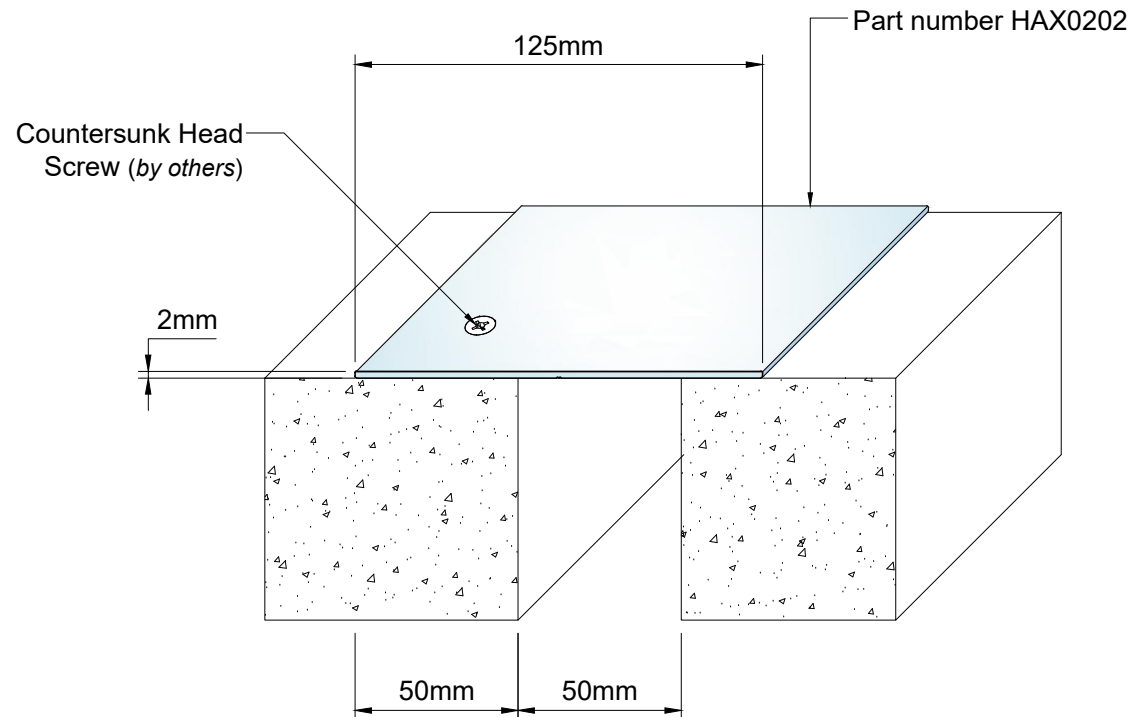
Tel : (888) - 749 - 8456

Email: info@prospecspecialties.com

Web : prospecspecialties.com

Disclaimer: As Prospec Specialties' Policy is one of continual technical progress for the improvement of the company's services to its customers, the company reserves the right to modify the Designs of its products without notice.

HAS050-WL SYSTEM



Technical Data

Joint Width	50mm
Movement (<i>Expansion</i>)	50%
Movement (<i>Contraction</i>)	50%
Movement (<i>Shear</i>)	*
Load	*

Date:	Scale: NTS
Rev:	Drawn by: AV

Application:
Expansion Joint Cover for Wall to Wall Condition



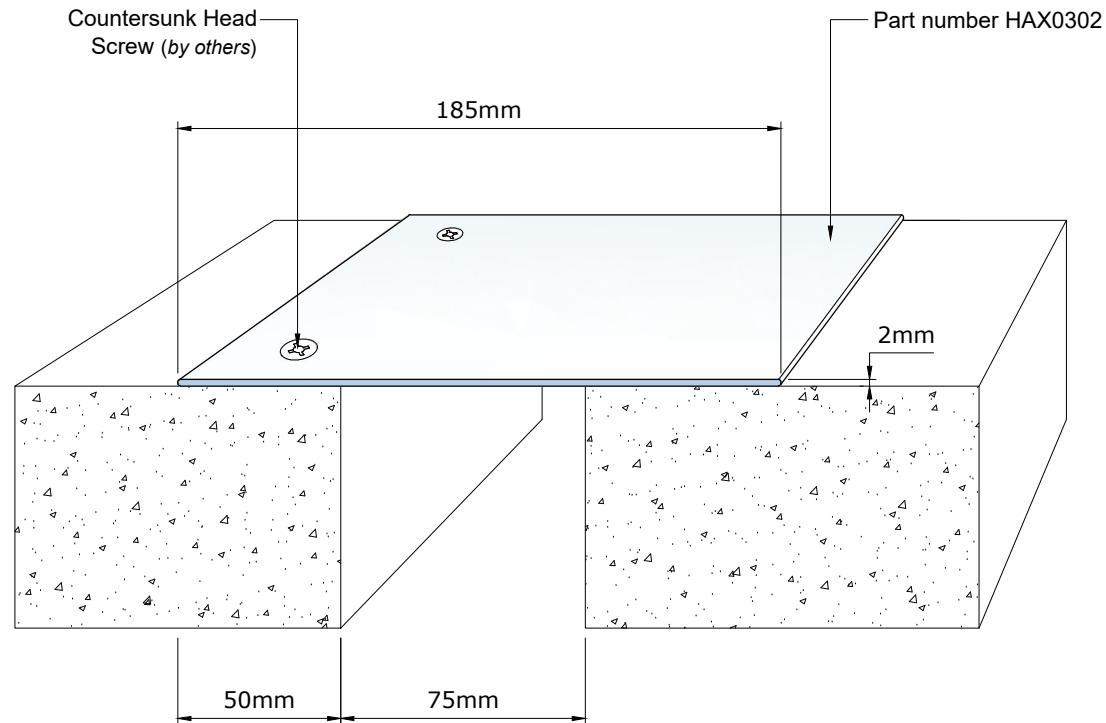
PROSPEC SPECIALTIES INC.

100-1075 North Service Rd. W,
 Oakville On L6M2G2,
 Canada

Tel : (888) - 749 - 8456
 Email: info@prospecspecialties.com
 Web : prospecspecialties.com

Disclaimer: As Prospec Specialties' Policy is one of continual technical progress for the improvement of the company's services to its customers, the company reserves the right to modify the Designs of its products without notice.

HAS075-WL SYSTEM



Technical Data

Joint Width	75mm
Movement (Expansion)	50%
Movement (Contraction)	50%
Movement (Shear)	*
Load	*

Date:	Scale: NTS
Rev:	Drawn by: JOE

Application:
Expansion Joint Cover for Wall to Wall Condition



PROSPEC SPECIALTIES INC.

100-1075 North Service Rd. W,
 Oakville On L6M2G2,
 Canada

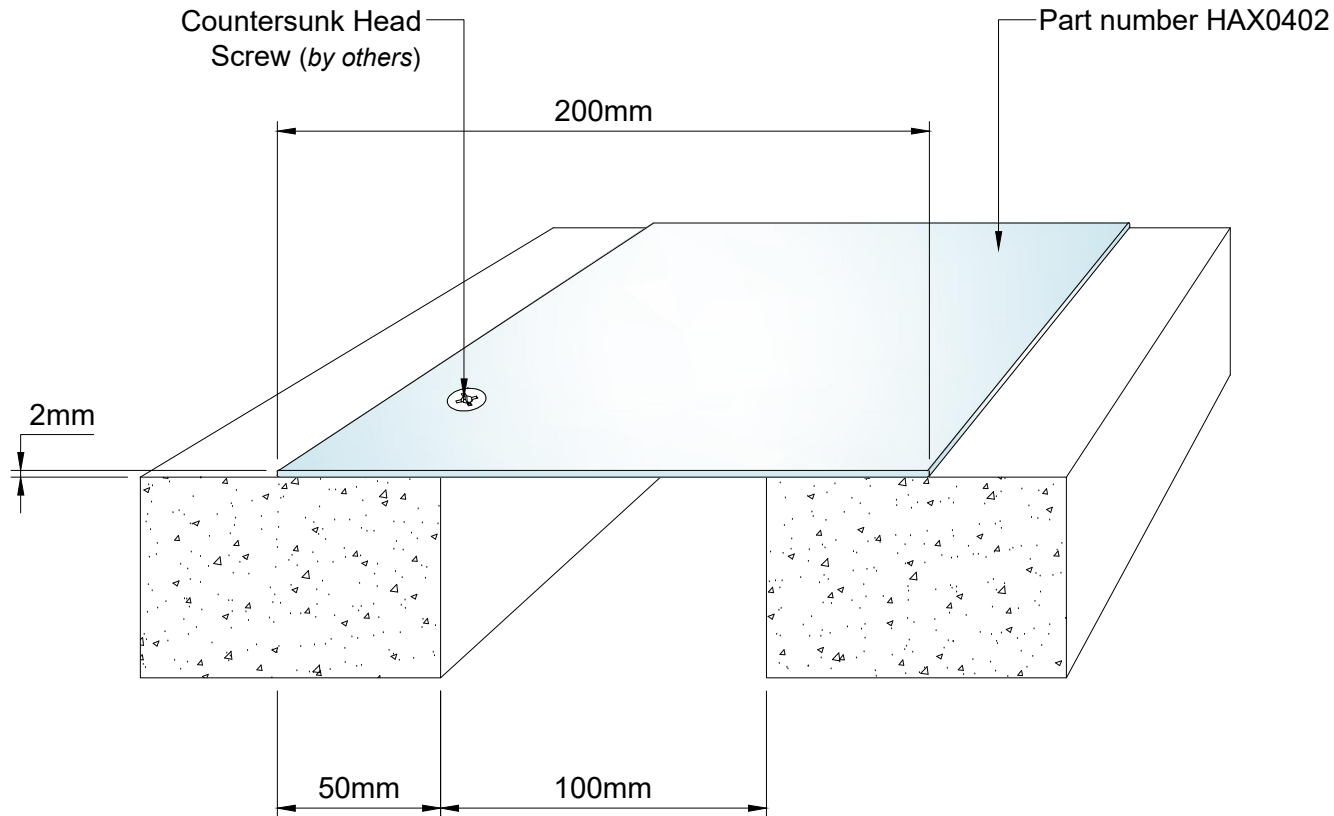
Tel : (888) - 749 - 8456

Email: info@prospecspecialties.com

Web : prospecspecialties.com

Disclaimer: As Prospec Specialties' Policy is one of continual technical progress for the improvement of the company's services to its customers, the company reserves the right to modify the Designs of its products without notice.

HAS100-WL SYSTEM



Technical Data

Joint Width	100mm
Movement (<i>Expansion</i>)	50%
Movement (<i>Contraction</i>)	50%
Movement (<i>Shear</i>)	*
Load	*

Date:	Scale: NTS
Rev:	Drawn by: AV

Application:
Expansion Joint Cover for Wall to Wall Condition



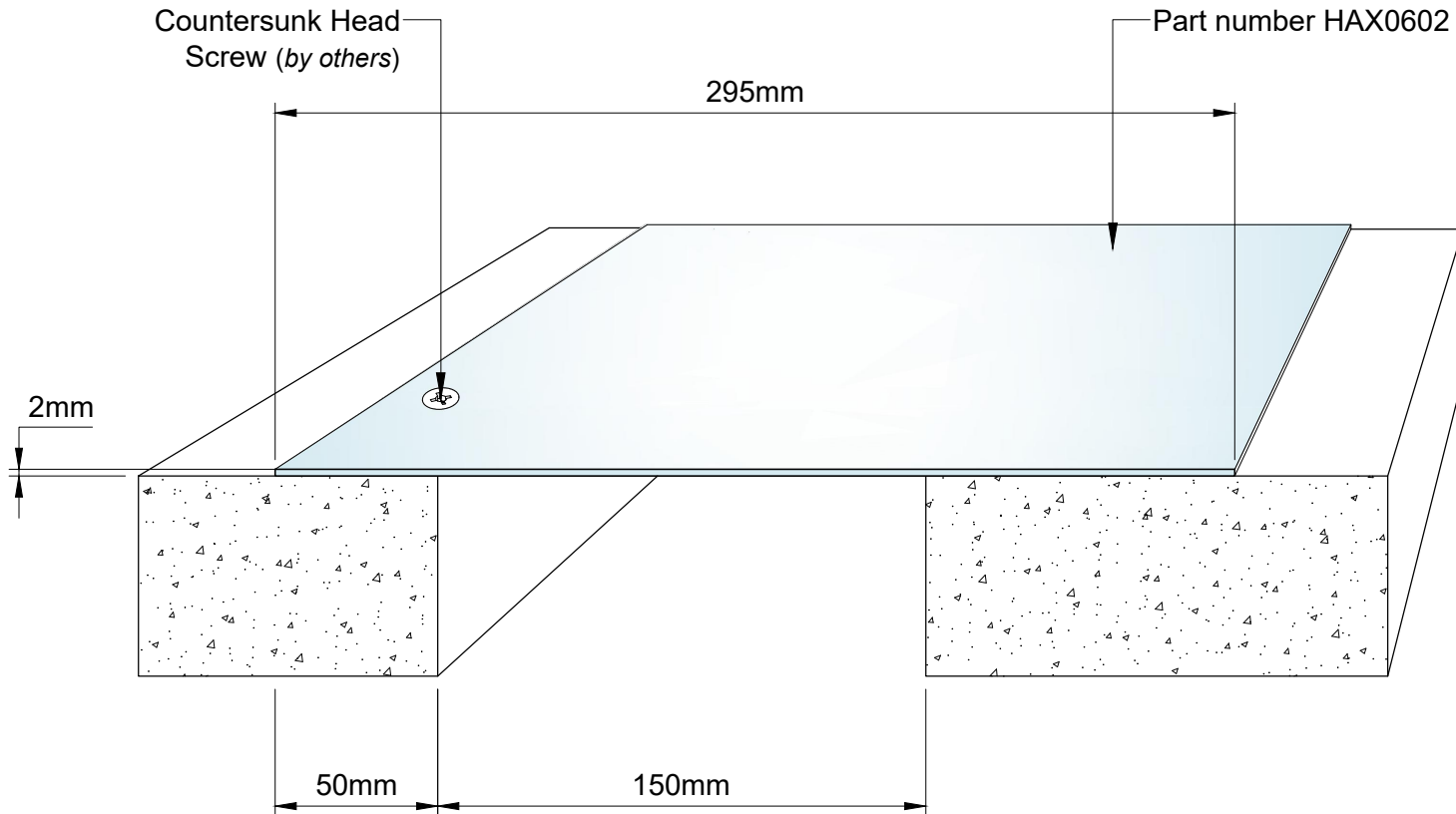
PROSPEC SPECIALTIES INC.

100-1075 North Service Rd. W,
 Oakville On L6M2G2,
 Canada

Tel : (888) - 749 - 8456
 Email: info@prospecspecialties.com
 Web : prospecspecialties.com

Disclaimer: As Prospec Specialties' Policy is one of continual technical progress for the improvement of the company's services to its customers, the company reserves the right to modify the Designs of its products without notice.

HAS150-WL SYSTEM



Technical Data

Joint Width	150mm
Movement (Expansion)	50%
Movement (Contraction)	50%
Movement (Shear)	*
Load	*

Date:	Scale: NTS
Rev:	Drawn by: AV

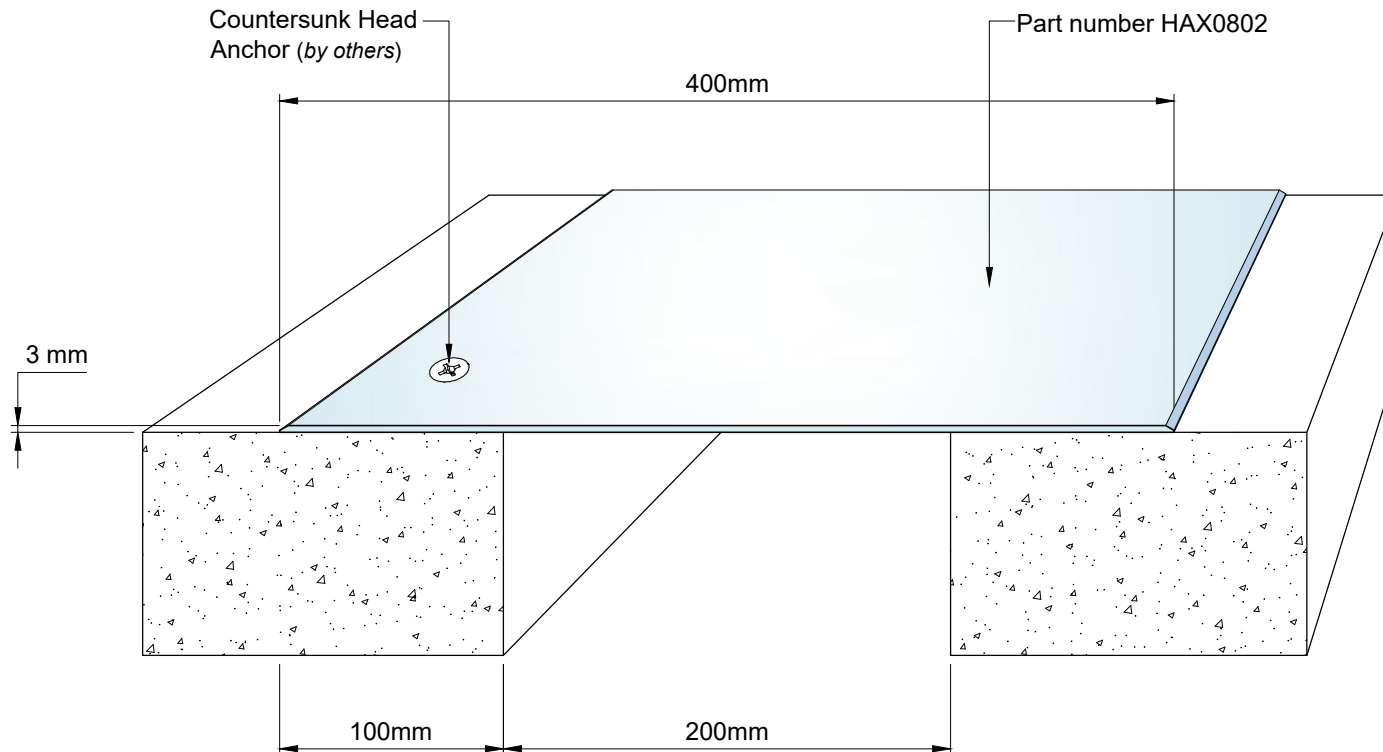
Application:
Expansion Joint Cover for Wall to Wall Condition



PROSPEC SPECIALTIES INC.
 100-1075 North Service Rd. W,
 Oakville On L6M2G2,
 Canada
 Tel : (888) - 749 - 8456
 Email: info@prospecspecialties.com
 Web : prospecspecialties.com

Disclaimer: As Prospec Specialties' Policy is one of continual technical progress for the improvement of the company's services to its customers, the company reserves the right to modify the Designs of its products without notice.

HAS200-WL SYSTEM



Technical Data

Joint Width	200mm
Movement (<i>Expansion</i>)	50%
Movement (<i>Contraction</i>)	50%
Movement (<i>Shear</i>)	*
Load	*

Date:	Scale: NTS
Rev:	Drawn by: AV

Application:
Expansion Joint Cover for Wall to Wall Condition



PROSPEC SPECIALTIES INC.

100-1075 North Service Rd. W,
 Oakville On L6M2G2,
 Canada

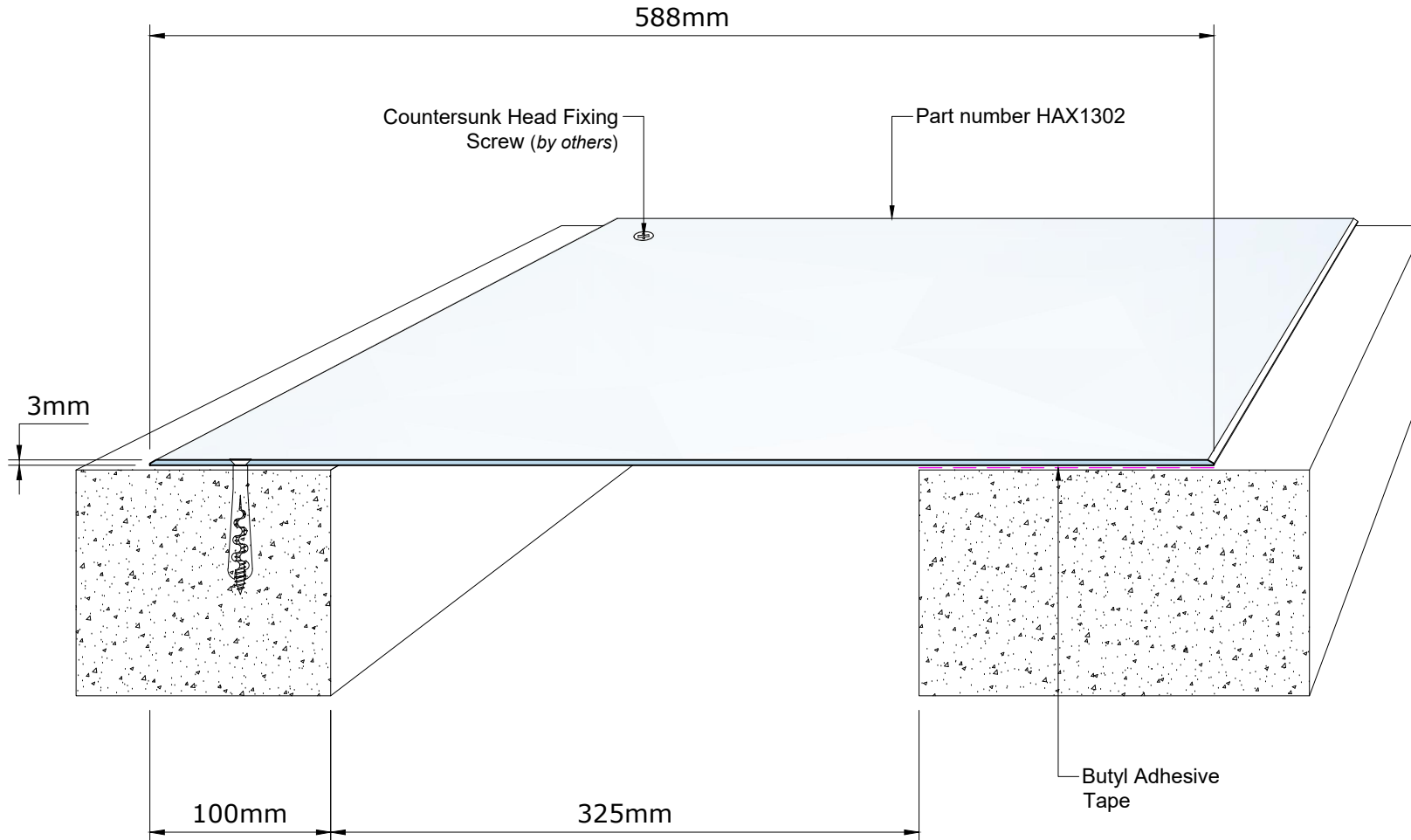
Tel : (888) - 749 - 8456

Email: info@prospecspecialties.com

Web : prospecspecialties.com

Disclaimer: As Prospec Specialties' Policy is one of continual technical progress for the improvement of the company's services to its customers, the company reserves the right to modify the Designs of its products without notice.

HAS325-WL SYSTEM



Technical Data

Joint Width	325mm
Movement (<i>Expansion</i>)	50%
Movement (<i>Contraction</i>)	50%
Movement (<i>Shear</i>)	*
Load	*

Date:	Scale: NTS
Rev:	Drawn by: JOE

Application:
Expansion Joint Cover for Wall to Wall Condition



PROSPEC SPECIALTIES INC.
 100-1075 North Service Rd. W,
 Oakville On L6M2G2,
 Canada
 Tel : (888) - 749 - 8456
 Email: info@prospecspecialties.com
 Web : prospecspecialties.com

Disclaimer: As Prospec Specialties' Policy is one of continual technical progress for the improvement of the company's services to its customers, the company reserves the right to modify the Designs of its products without notice.