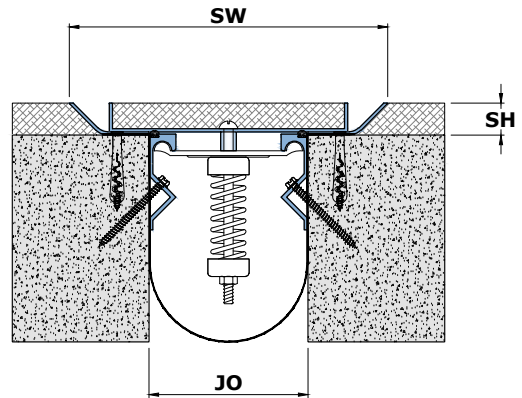
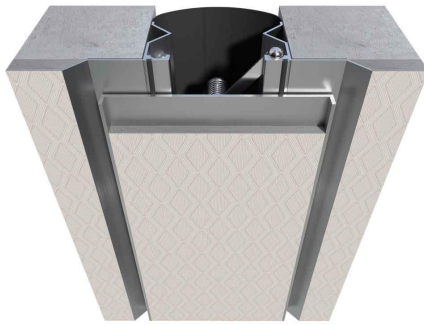


Features

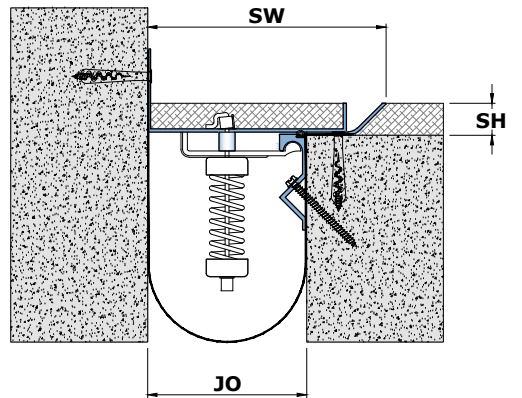
- System designed for recessed external wall
- Seismic Pan System for accommodating various Wall finishes
- The steel central flanges allow swift shift between positive and negative movements
- Specially designed spring assembly under pan provides swift correction after seismic movements
- Accommodate large joints with seismic movements
- System allows excellent shear movements
- System allows full seismic movements

Straight Application DHS



- DH**
Series
- EXT.**
Application
- Seismic**
Movement
- Wall**
Use

Corner Application DHC



Details

Usage : Wall

Joint Width (mm) : 100 - 300

Optional : Fire Barrier

Wider Joint cover available at request

Application	Code	JO	SH	SW	± Movement (%)			Load (Ton)
					Millimeter		Horizontal	
Straight (S)	DHS 100	100	20	200	50	25	Excellent	*
	DHS 150	150	20	275	50	25	Excellent	*
	DHS 200	200	20	350	50	25	Excellent	*
	DHS 250	250	20	425	50	25	Excellent	*
	DHS 300	300	20	500	50	25	Excellent	*
Corner (C)	DHC 100	100	20	150	25	13	Excellent	*
	DHC 150	150	20	213	25	13	Excellent	*
	DHC 200	200	20	275	25	13	Excellent	*
	DHC 250	250	20	338	25	13	Excellent	*
	DHC 300	300	20	400	25	13	Excellent	*

As Prospec Specialties' policy is one of continual progress for the improvement of the company's services to its customers, the company reserves the right to modify the specifications of its products without notice.