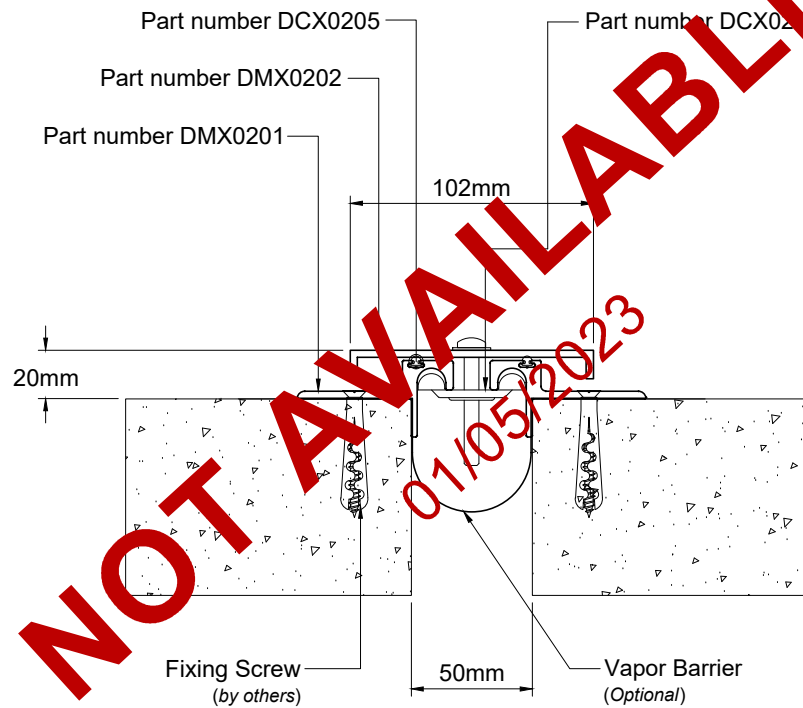


DMS050 SYSTEM



Joint Width	Metric (mm)
Joint Width	50
Movement ± (Hor.)	25
Movement ± (Ver.)	25

Date:	Scale: NTS
Rev: 02	Drawn by:

Application:

Expansion Joint Cover for External Wall to Wall Condition



PROSPEC SPECIALTIES INC.

26-5250 Satellite Drive,
Mississauga, Ontario L4W 5G5,
Canada

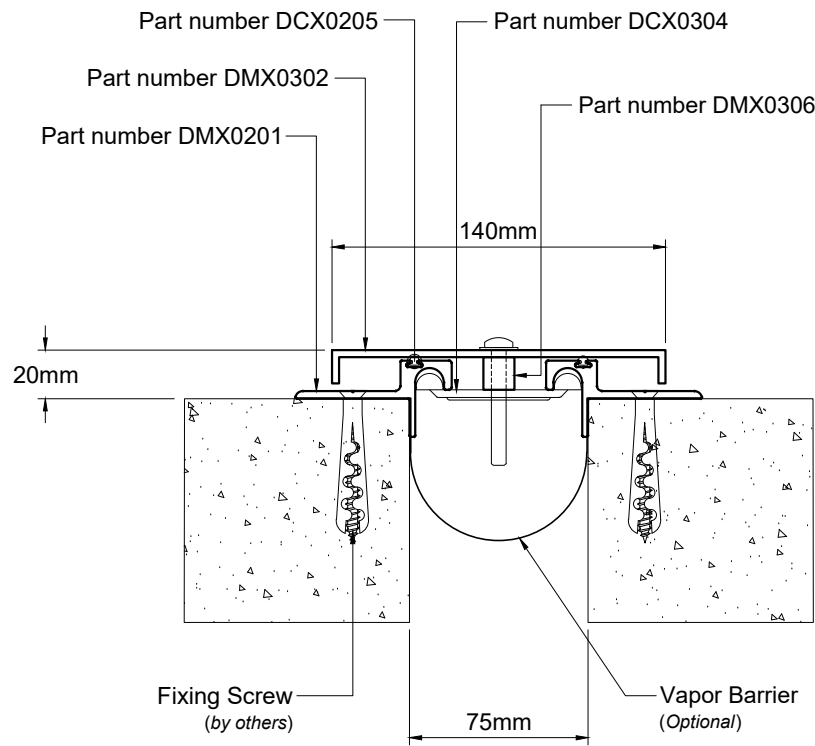
Tel : (888) - 749 - 8465

Email: info@prospecspecialties.com

Web : prospecspecialties.com

Disclaimer: As Prospec Specialties' Policy is one of continual technical progress for the improvement of the company's services to its customers, the company reserves the right to modify the Designs of its products without notice.

DMS075 SYSTEM



Joint Width	Metric (mm)
Joint Width	75
Movement ± (Hor.)	38
Movement ± (Ver.)	38

Date:	Scale: NTS
Rev: 02	Drawn by:

Application:
Expansion Joint Cover for External Wall to Wall Condition



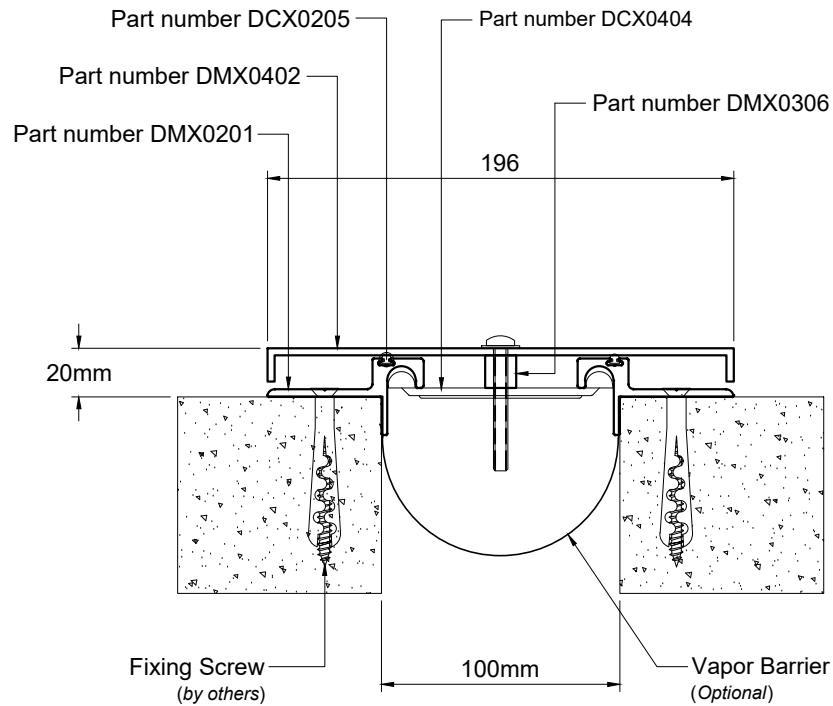
PROSPEC SPECIALTIES INC.

26-5250 Satellite Drive,
Mississauga, Ontario L4W 5G5,
Canada

Tel : (888) - 749 - 8465
Email: info@prospecspecialties.com
Web : prospecspecialties.com

Disclaimer: As Prospec Specialties' Policy is one of continual technical progress for the improvement of the company's services to its customers, the company reserves the right to modify the Designs of its products without notice.

DMS100 SYSTEM



Joint Width	Metric (mm)
Joint Width	100
Movement ± (Hor.)	50
Movement ± (Ver.)	50

Date:	Scale: NTS
Rev: 02	Drawn by:

Application:

Expansion Joint Cover for External Wall to Wall Condition



PROSPEC SPECIALTIES INC.

26-5250 Satellite Drive,
Mississauga, Ontario L4W 5G5,
Canada

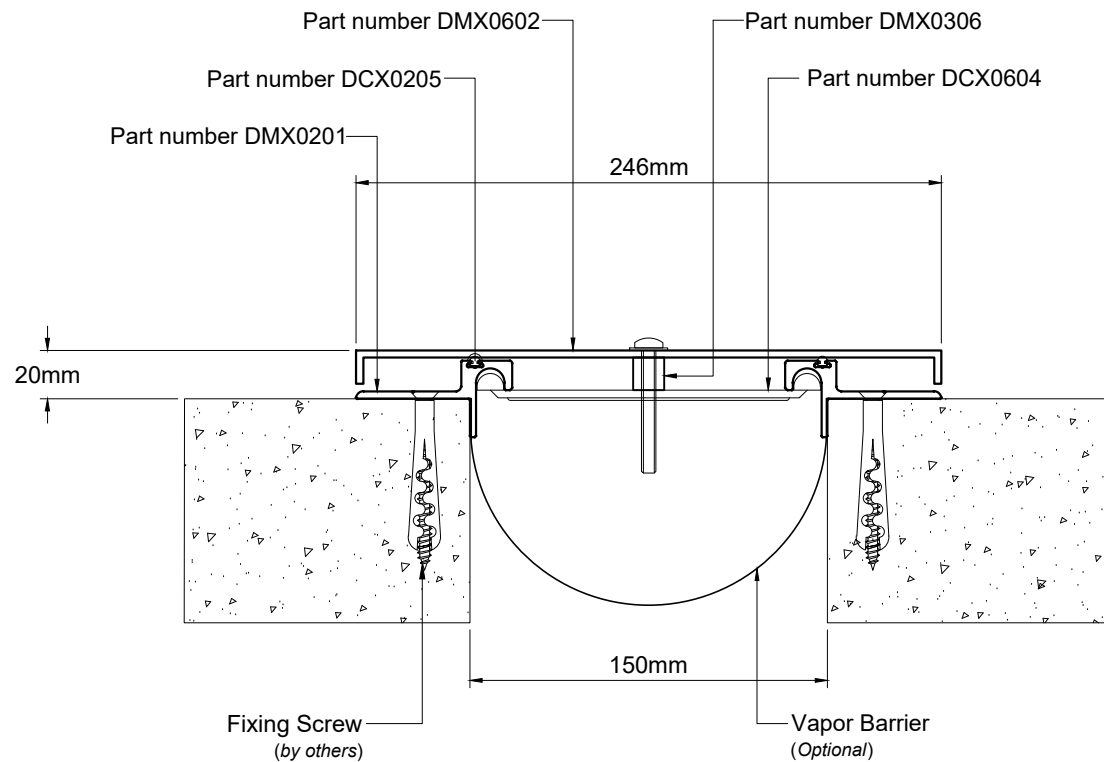
Tel : (888) - 749 - 8465

Email: info@prospecspecialties.com

Web : prospecspecialties.com

Disclaimer: As Prospec Specialties' Policy is one of continual technical progress for the improvement of the company's services to its customers, the company reserves the right to modify the Designs of its products without notice.

DMS150 SYSTEM



Joint Width	Metric (mm)
Joint Width	150
Movement ± (Hor.)	75
Movement ± (Ver.)	75

Date:	Scale: NTS
Rev: 02	Drawn by:

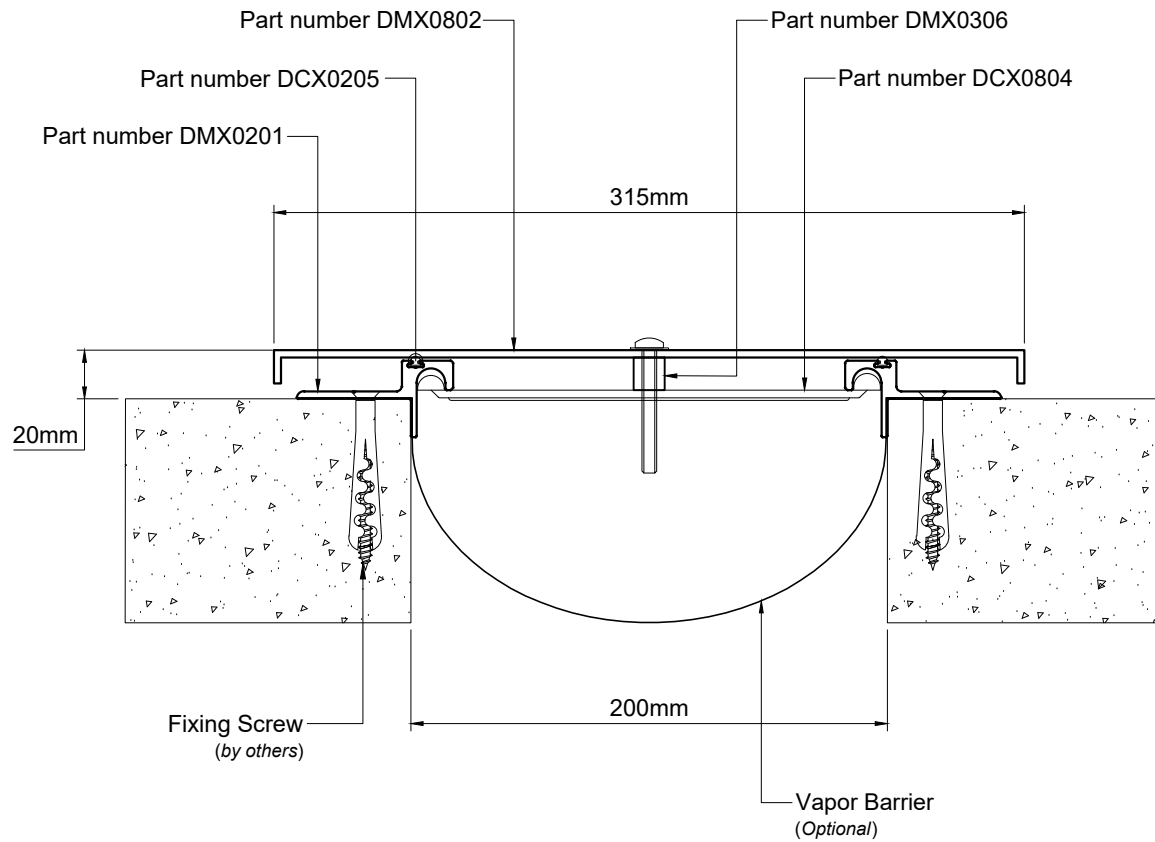
Application:
Expansion Joint Cover for External Wall to Wall Condition



PROSPEC SPECIALTIES INC.
26-5250 Satellite Drive,
Mississauga, Ontario L4W 5G5,
Canada
Tel : (888) - 749 - 8465
Email: info@prospecspecialties.com
Web : prospecspecialties.com

Disclaimer: As Prospec Specialties' Policy is one of continual technical progress for the improvement of the company's services to its customers, the company reserves the right to modify the Designs of its products without notice.

DMS200 SYSTEM



Joint Width	Metric (mm)
Joint Width	200
Movement ± (Hor.)	100
Movement ± (Ver.)	100

Date:	Scale: NTS
Rev: 02	Drawn by:

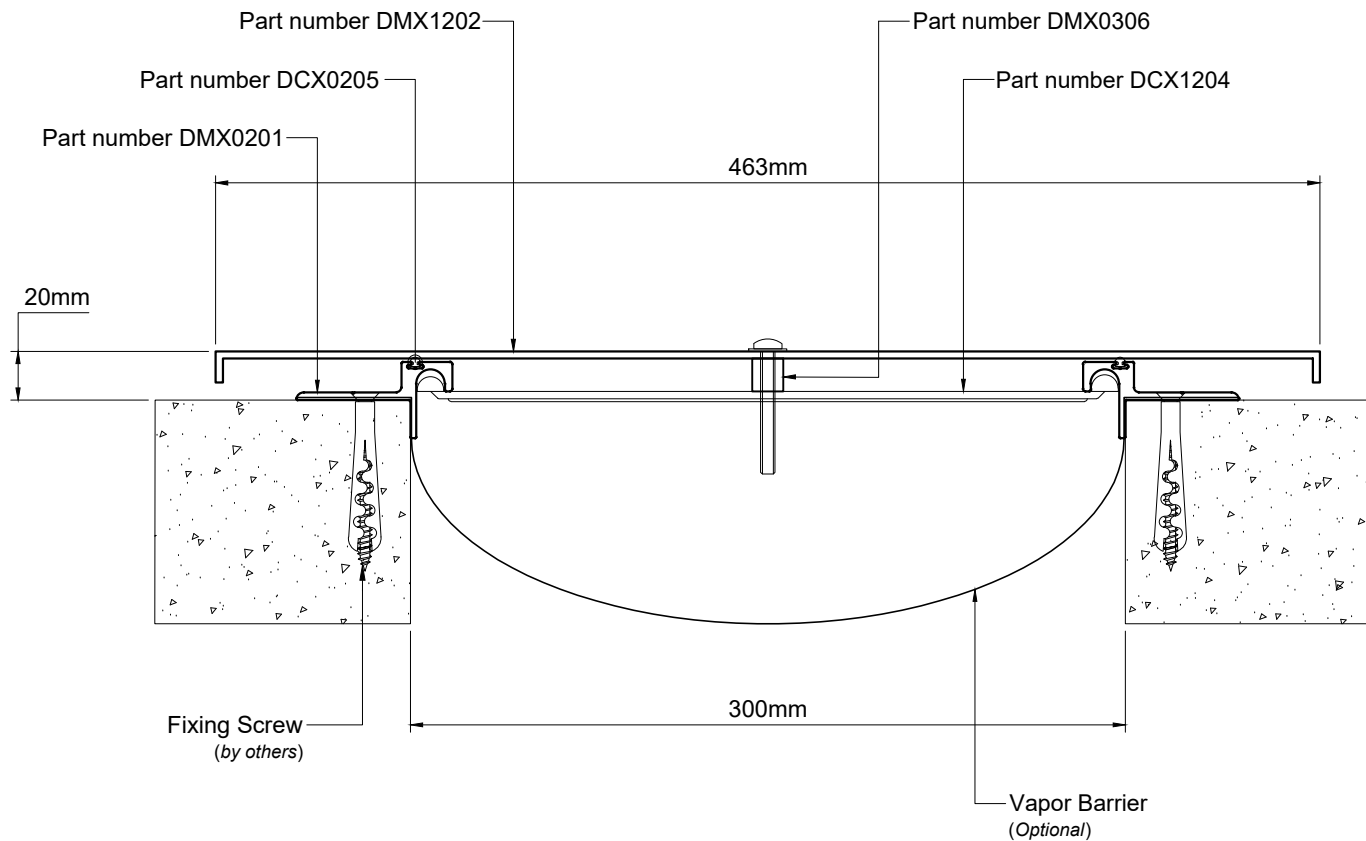
Application:
Expansion Joint Cover for External Wall to Wall Condition



PROSPEC SPECIALTIES INC.
26-5250 Satellite Drive,
Mississauga, Ontario L4W 5G5,
Canada
Tel : (888) - 749 - 8465
Email: info@prospecspecialties.com
Web : prospecspecialties.com

Disclaimer: As Prospec Specialties' Policy is one of continual technical progress for the improvement of the company's services to its customers, the company reserves the right to modify the Designs of its products without notice.

DMS300 SYSTEM



Joint Width	Metric (mm)
Joint Width	300
Movement ± (Hor.)	150
Movement ± (Ver.)	150

Date:	Scale: NTS
Rev: 02	Drawn by:

Application:
Expansion Joint Cover for External Wall to Wall Condition



PROSPEC SPECIALTIES INC.
26-5250 Satellite Drive,
Mississauga, Ontario L4W 5G5,
Canada
Tel : (888) - 749 - 8465
Email: info@prospecspecialties.com
Web : prospecspecialties.com

Disclaimer: As Prospec Specialties' Policy is one of continual technical progress for the improvement of the company's services to its customers, the company reserves the right to modify the Designs of its products without notice.