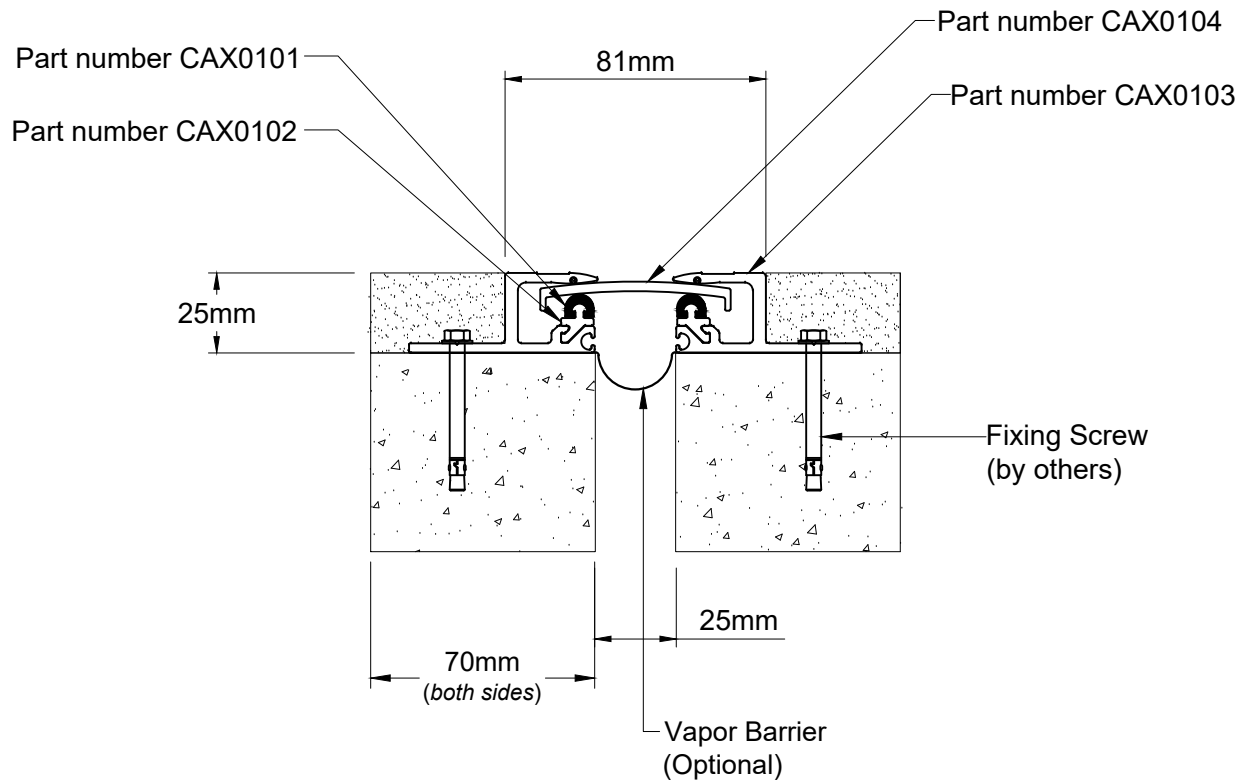


CAS025 SYSTEM



Joint Width	Metric (mm)
Joint Width	25
Movement ± (Hor.)	13
Movement ± (Ver.)	6
Load	4 Tons
Date:	Scale: NTS
Rev:	Drawn by:

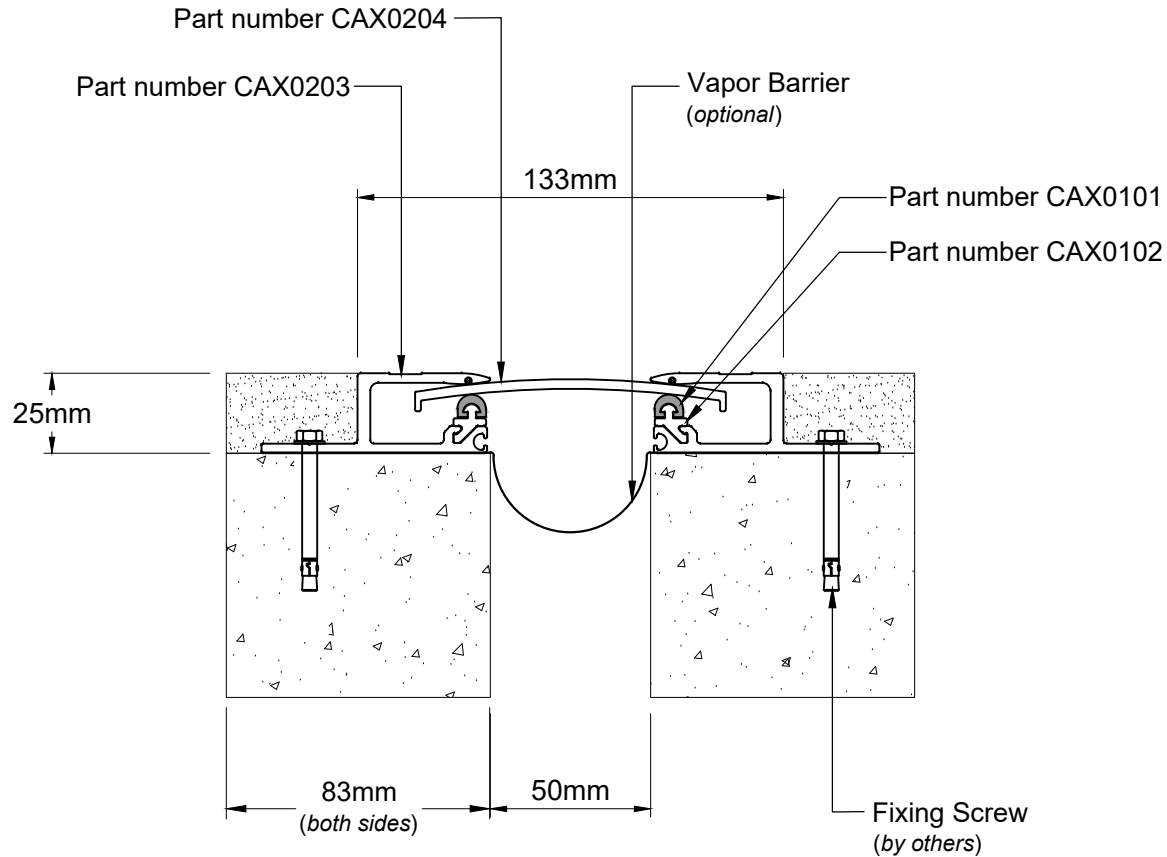
Application:
Expansion Joint Cover for Floor to Floor Condition



PROSPEC SPECIALTIES INC.
26-5250 Satellite Drive,
Mississauga, Ontario L4W 5G5,
Canada
Tel : (888) - 749 - 8456
Email: info@prospecspecialties.com
Web : prospecspecialties.com

Disclaimer: As Prospec Specialties' Policy is one of continual technical progress for the improvement of the company's services to its customers, the company reserves the right to modify the Designs of its products without notice.

CAS050 SYSTEM



Joint Width	Metric (mm)
Joint Width	50
Movement ± (Hor.)	25
Movement ± (Ver.)	13
Load	3 Tons
Date:	Scale: NTS
Rev:	Drawn by:

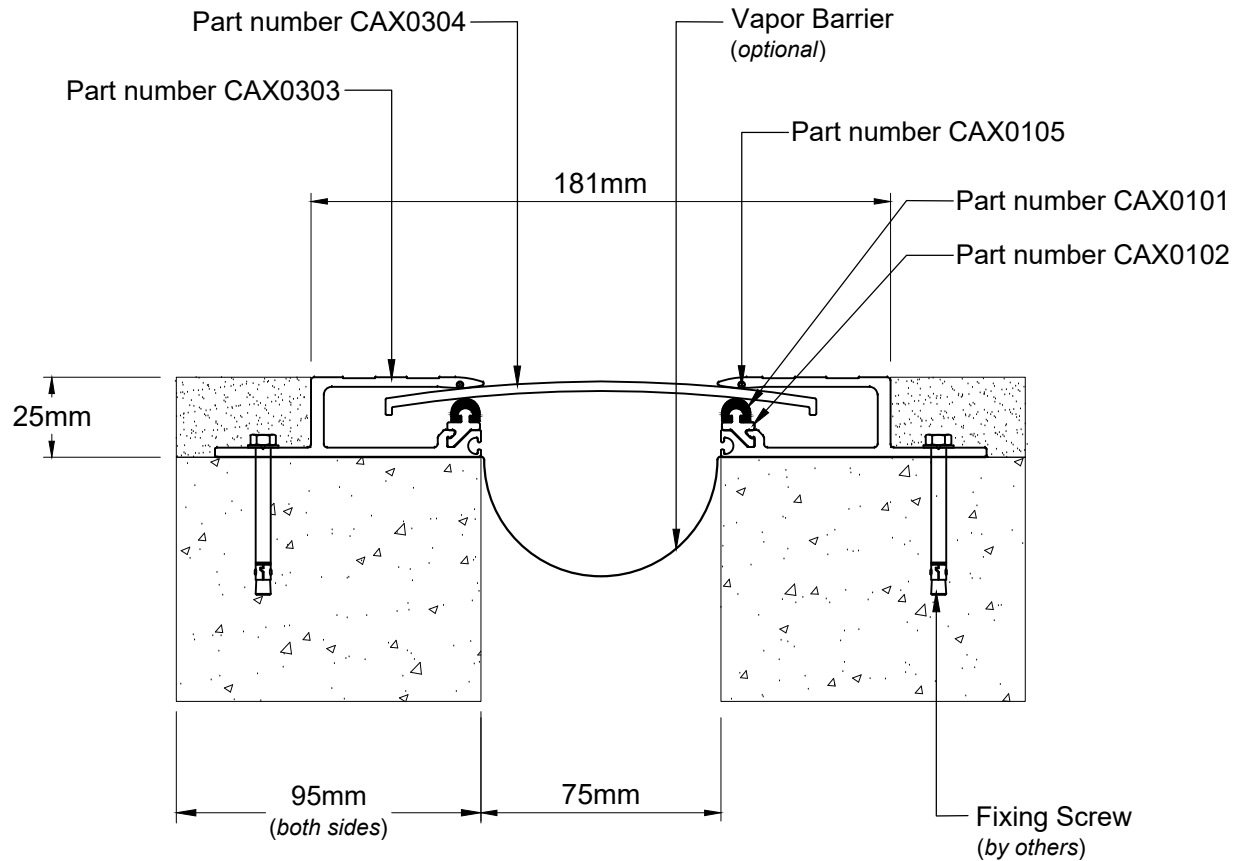
Application:
Expansion Joint Cover for Floor to Floor Condition



PROSPEC SPECIALTIES INC.
26-5250 Satellite Drive,
Mississauga, Ontario L4W 5G5,
Canada
Tel : (888) - 749 - 8456
Email: info@prospecspecialties.com
Web : prospecspecialties.com

Disclaimer: As Prospec Specialties' Policy is one of continual technical progress for the improvement of the company's services to its customers, the company reserves the right to modify the Designs of its products without notice.

CAS075 SYSTEM



Joint Width	Metric (mm)
Joint Width	75
Movement ± (Hor.)	38
Movement ± (Ver.)	19
Load	2 Tons
Date:	Scale: NTS
Rev:	Drawn by:

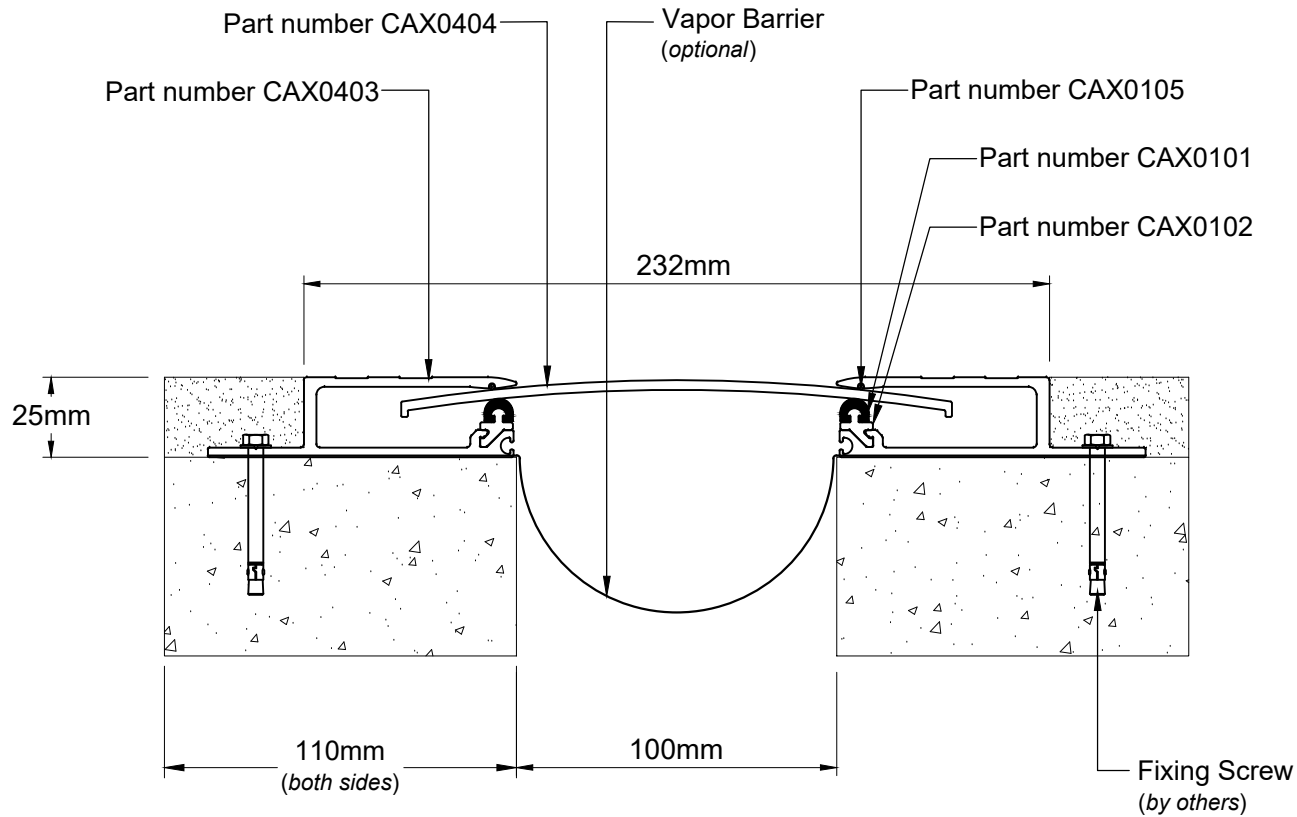
Application:
Expansion Joint Cover for Floor to Floor Condition



PROSPEC SPECIALTIES INC.
26-5250 Satellite Drive,
Mississauga, Ontario L4W 5G5,
Canada
Tel : (888) - 749 - 8456
Email: info@prospecspecialties.com
Web : prospecspecialties.com

Disclaimer: As Prospec Specialties' Policy is one of continual technical progress for the improvement of the company's services to its customers, the company reserves the right to modify the Designs of its products without notice.

CAS100 SYSTEM



Joint Width	Metric (mm)
Joint Width	100
Movement ± (Hor.)	50
Movement ± (Ver.)	25
Load	1 Tons

Date:	Scale: NTS
Rev:	Drawn by:

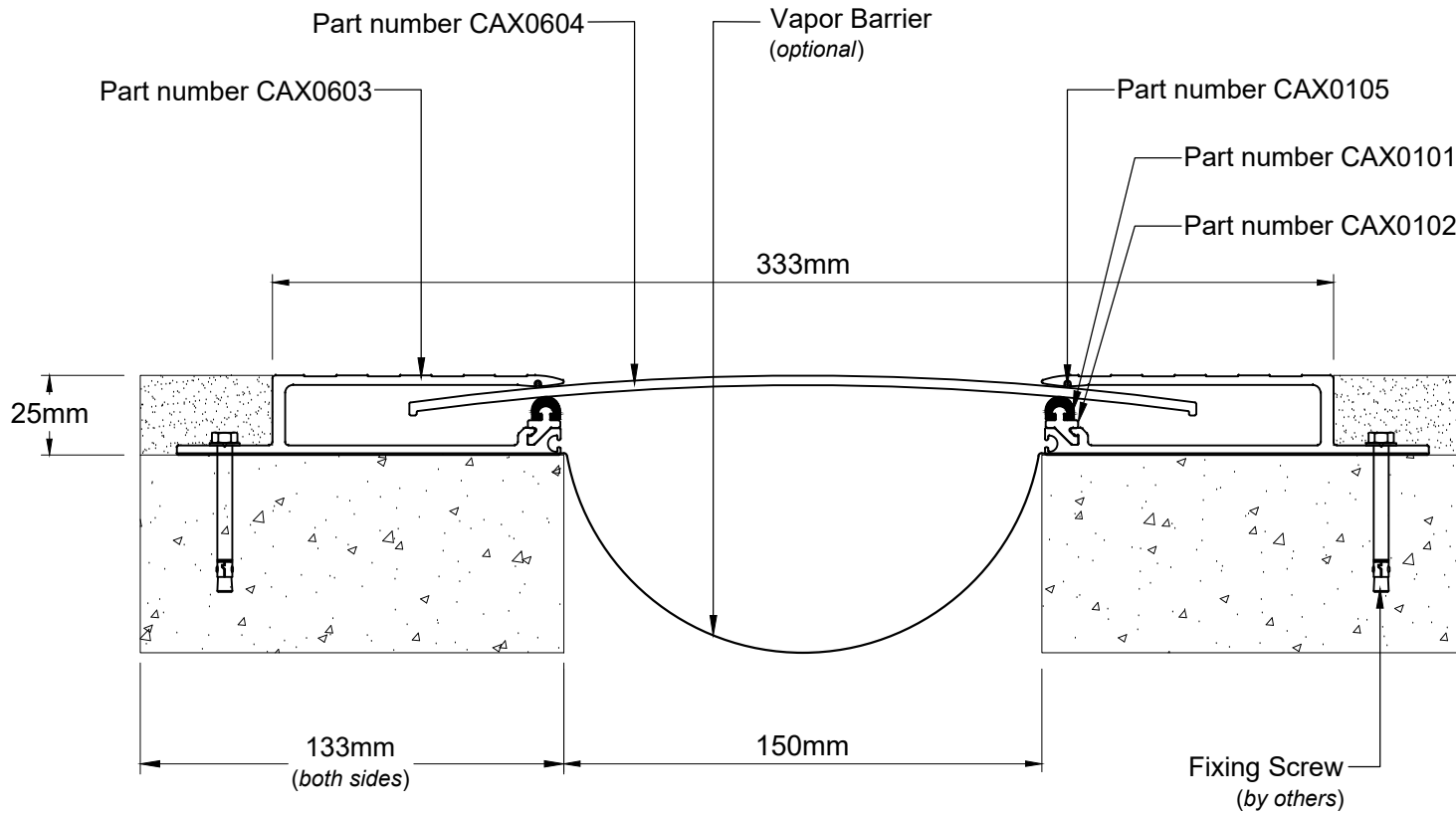
Application:
Expansion Joint Cover for Floor to Floor Condition



PROSPEC SPECIALTIES INC.
26-5250 Satellite Drive,
Mississauga, Ontario L4W 5G5,
Canada
Tel : (888) - 749 - 8456
Email: info@prospecspecialties.com
Web : prospecspecialties.com

Disclaimer: As Prospec Specialties' Policy is one of continual technical progress for the improvement of the company's services to its customers, the company reserves the right to modify the Designs of its products without notice.

CAS150 SYSTEM



Joint Width	Metric (mm)
Joint Width	150
Movement ± (Hor.)	75
Movement ± (Ver.)	38
Load	1 Tons

Date:	Scale: NTS
Rev:	Drawn by:

Application:
Expansion Joint Cover for Floor to Floor Condition



PROSPEC SPECIALTIES INC.
26-5250 Satellite Drive,
Mississauga, Ontario L4W 5G5,
Canada
Tel : (888) - 749 - 8456
Email: info@prospecspecialties.com
Web : prospecspecialties.com

Disclaimer: As Prospec Specialties' Policy is one of continual technical progress for the improvement of the company's services to its customers, the company reserves the right to modify the Designs of its products without notice.