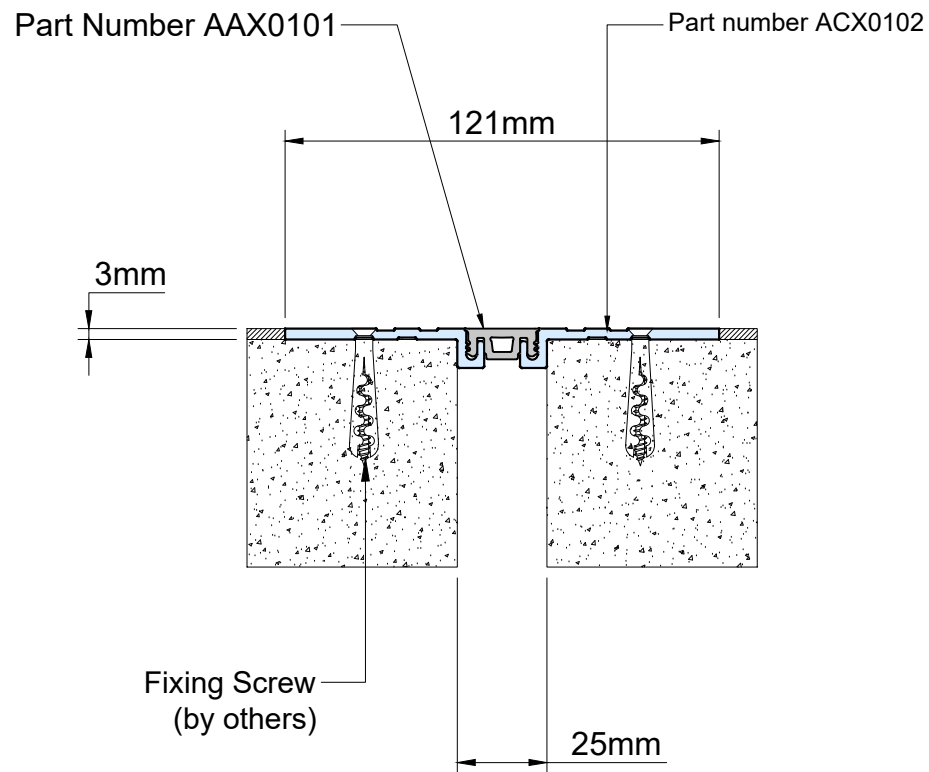


ACS-025 SYSTEM



Technical Data

Joint Width	25mm
Movement (<i>Expansion</i>)	25%
Movement (<i>Contraction</i>)	25%
Movement (<i>Shear</i>)	Narrow
Load	3 Tons

Date: 02-06-2026	Scale: NTS
Rev: 01	Drawn by: JOE

Application:
**Expansion Joint Cover for Floor to Floor
 /Wall to Wall/Ceiling to Ceiling Condition**



PROSPEC SPECIALTIES INC.

100-1075 North Service Rd. W,
 Oakville On L6M2G2,
 Canada

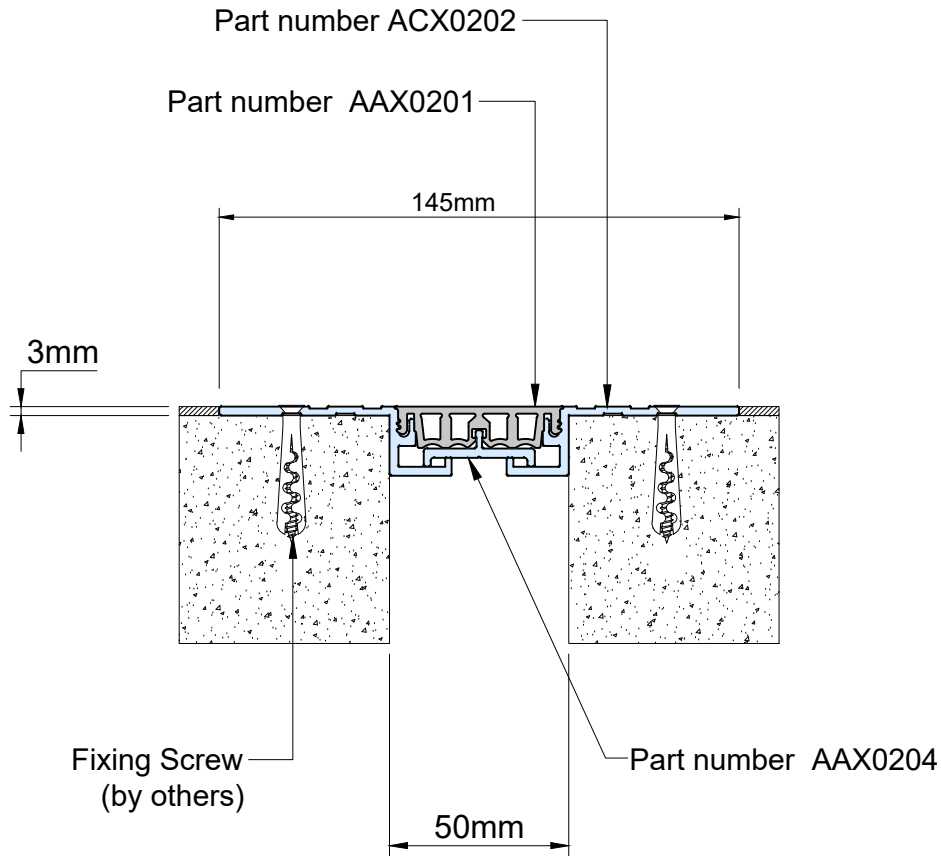
Tel : (888) - 749 - 8456

Email: info@prospecspecialties.com

Web : prospecspecialties.com

Disclaimer: As Prospec Specialties' Policy is one of continual technical progress for the improvement of the company's services to its customers, the company reserves the right to modify the Designs of its products without notice.

ACS-050 SYSTEM



Technical Data

Joint Width	50mm
Movement (<i>Expansion</i>)	25%
Movement (<i>Contraction</i>)	25%
Movement (<i>Shear</i>)	Narrow
Load	2 Tons

Date: 02-06-2026	Scale: NTS
Rev: 01	Drawn by: JOE

Application:
Expansion Joint Cover for Floor to Floor /Wall to Wall/Ceiling to Ceiling Condition



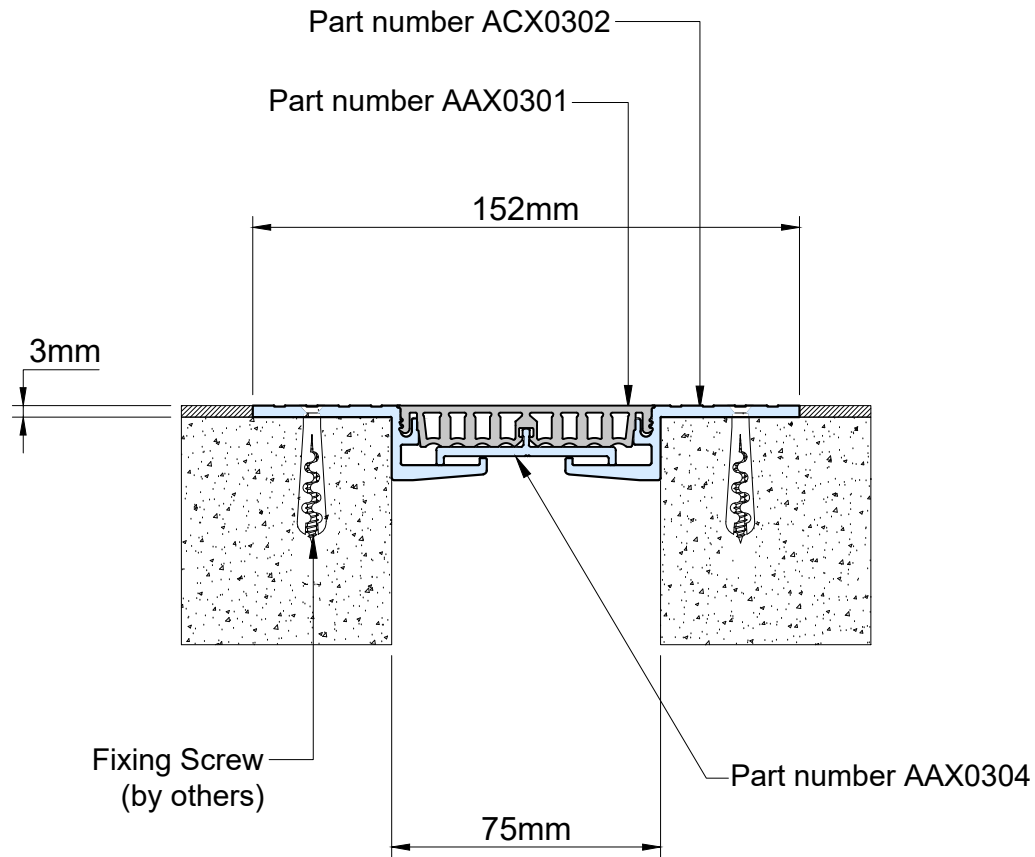
PROSPEC SPECIALTIES INC.

100-1075 North Service Rd. W,
 Oakville On L6M2G2,
 Canada

Tel : (888) - 749 - 8456
 Email: info@prospecspecialties.com
 Web : prospecspecialties.com

Disclaimer: As Prospec Specialties' Policy is one of continual technical progress for the improvement of the company's services to its customers, the company reserves the right to modify the Designs of its products without notice.

ACS-075 SYSTEM



Technical Data

Joint Width	75mm
Movement (<i>Expansion</i>)	25%
Movement (<i>Contraction</i>)	25%
Movement (<i>Shear</i>)	Narrow
Load	2 Tons

Date: 02-06-2026	Scale: NTS
Rev: 01	Drawn by: JOE

Application:
Expansion Joint Cover for Floor to Floor /Wall to Wall/Ceiling to Ceiling Condition



PROSPEC SPECIALTIES INC.

100-1075 North Service Rd. W,
 Oakville On L6M2G2,
 Canada

Tel : (888) - 749 - 8456

Email: info@prospecspecialties.com

Web : prospecspecialties.com

Disclaimer: As Prospec Specialties' Policy is one of continual technical progress for the improvement of the company's services to its customers, the company reserves the right to modify the Designs of its products without notice.