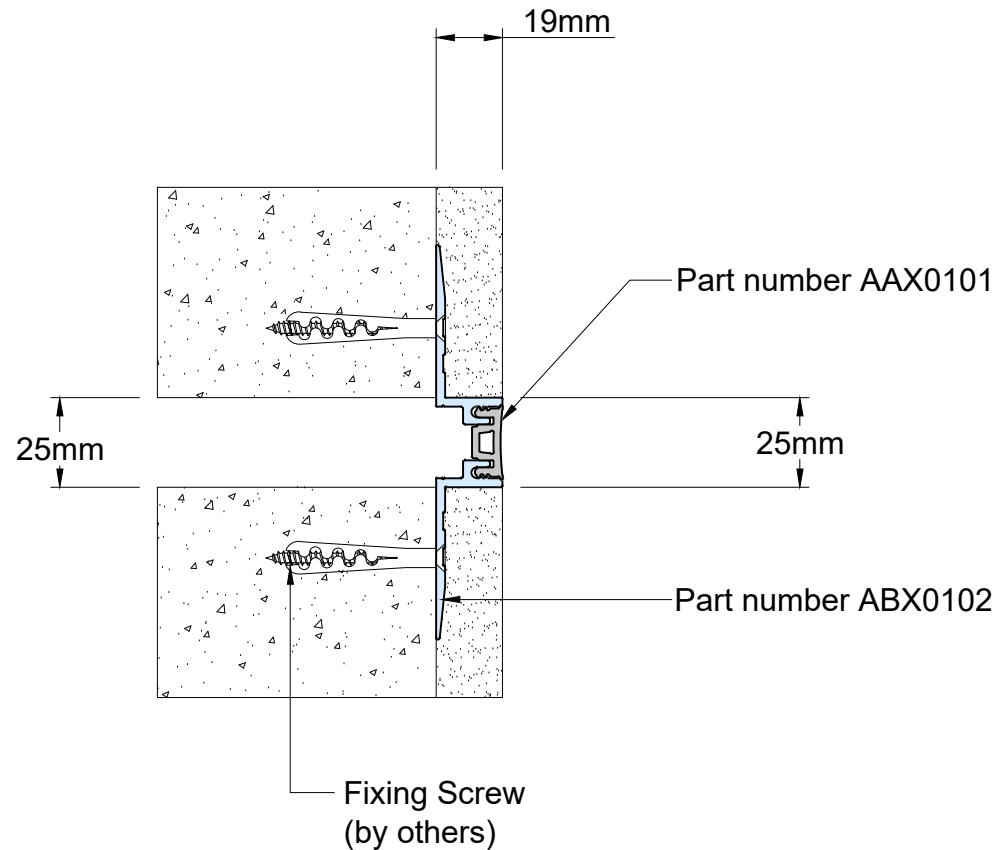


ABS-025 SYSTEM



Technical Data

Joint Width	25mm
Movement (<i>Expansion</i>)	25%
Movement (<i>Contraction</i>)	25%
Movement (<i>Shear</i>)	Narrow
Load	*

Date: 01-06-2026	Scale: NTS
Rev: 01	Drawn by: JOE

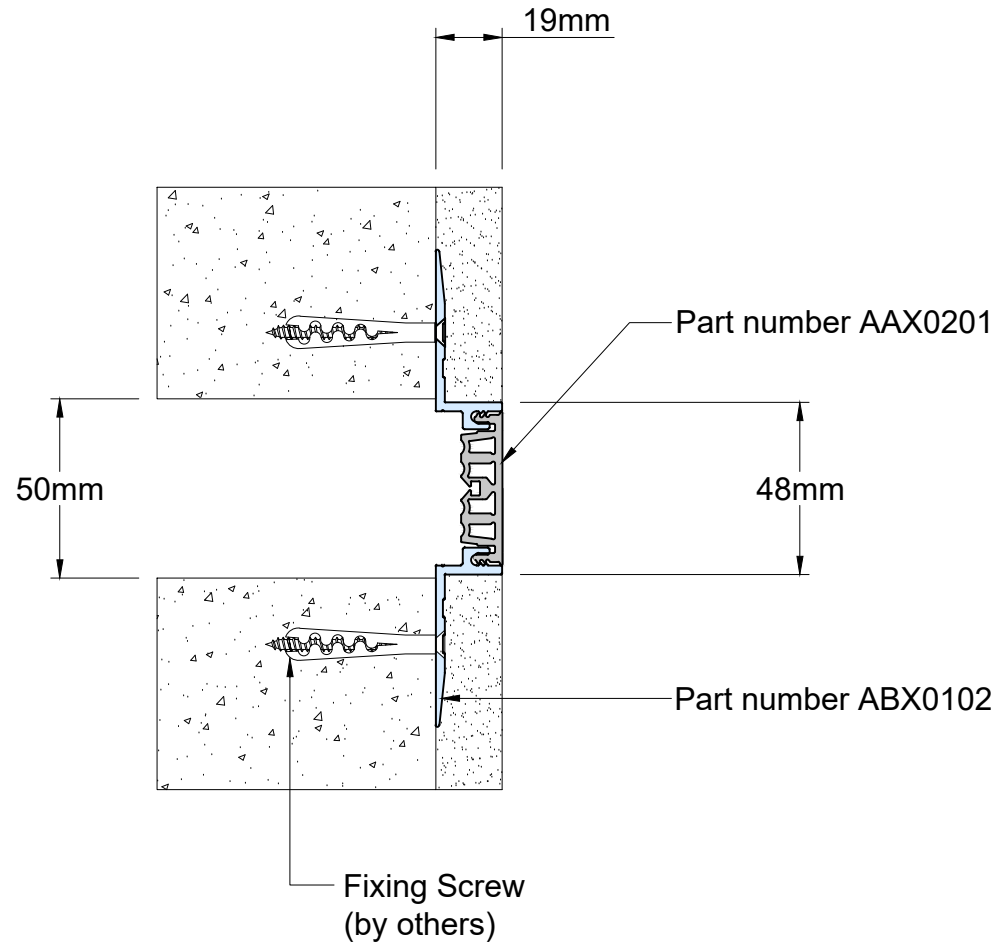
Application:
**Expansion Joint Cover for Wall
to Wall Condition**



PROSPEC SPECIALTIES INC.
100-1075 North Service Rd. W,
Oakville On L6M2G2,
Canada
Tel : (888) - 749 - 8456
Email: info@prospecspecialties.com
Web : prospecspecialties.com

Disclaimer: As Prospec Specialties' Policy is one of continual technical progress for the improvement of the company's services to its customers, the company reserves the right to modify the Designs of its products without notice.

ABS-050 SYSTEM



Technical Data

Joint Width	50mm
Movement (<i>Expansion</i>)	25%
Movement (<i>Contraction</i>)	25%
Movement (<i>Shear</i>)	Narrow
Load	*

Date: 01-06-2026	Scale: NTS
Rev: 01	Drawn by: JOE

Application:
Expansion Joint Cover for Wall
to Wall Condition

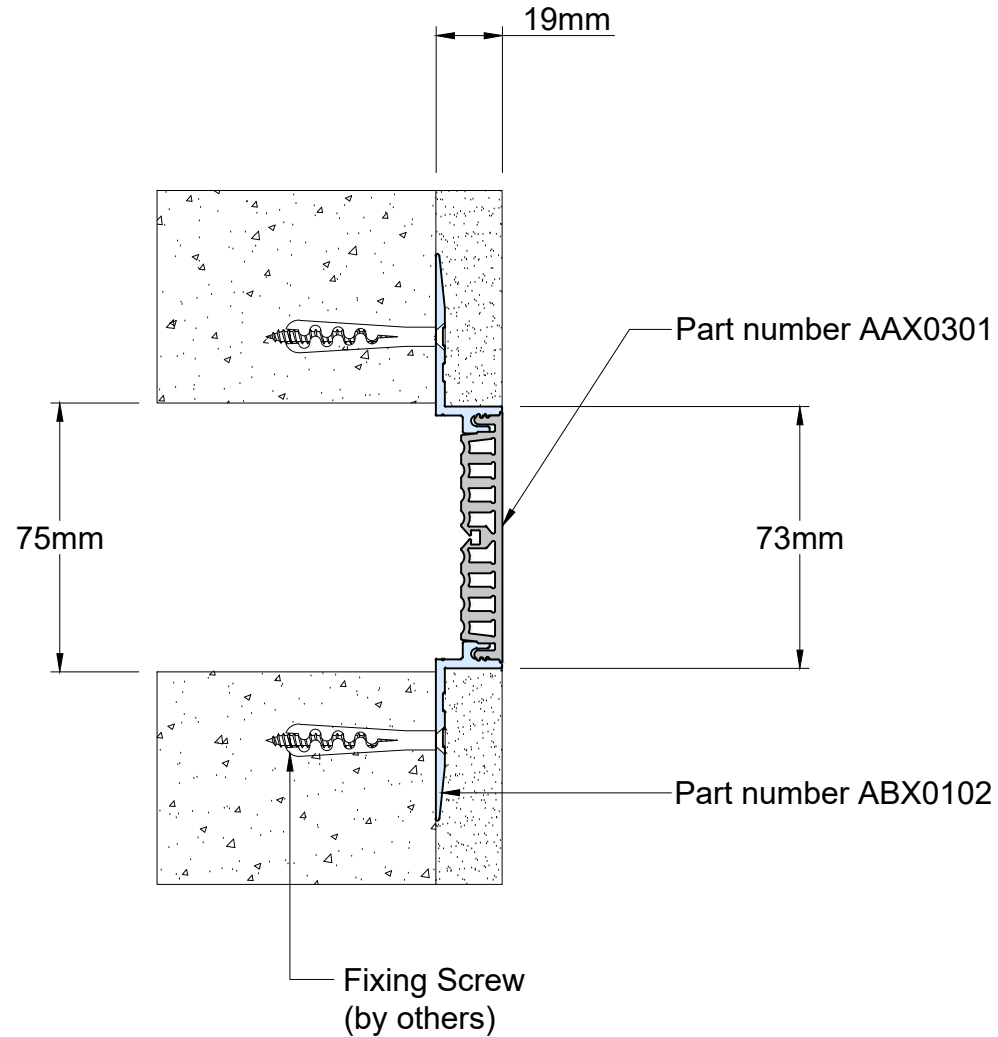


PROSPEC SPECIALTIES INC.

100-1075 North Service Rd. W,
Oakville On L6M2G2,
Canada
Tel : (888) - 749 - 8456
Email: info@prospecspecialties.com
Web : prospecspecialties.com

Disclaimer: As Prospec Specialties' Policy is one of continual technical progress for the improvement of the company's services to its customers, the company reserves the right to modify the Designs of its products without notice.

ABS-075 SYSTEM



Technical Data

Joint Width	75mm
Movement (<i>Expansion</i>)	25%
Movement (<i>Contraction</i>)	25%
Movement (<i>Shear</i>)	Narrow
Load	*

Date: 01-06-2026	Scale: NTS
Rev: 01	Drawn by: JOE

Application:
**Expansion Joint Cover for Wall
to Wall Condition**



PROSPEC SPECIALTIES INC.

100-1075 North Service Rd. W,
Oakville On L6M2G2,
Canada
Tel : (888) - 749 - 8456
Email: info@prospecspecialties.com
Web : prospecspecialties.com

Disclaimer: As Prospec Specialties' Policy is one of continual technical progress for the improvement of the company's services to its customers, the company reserves the right to modify the Designs of its products without notice.