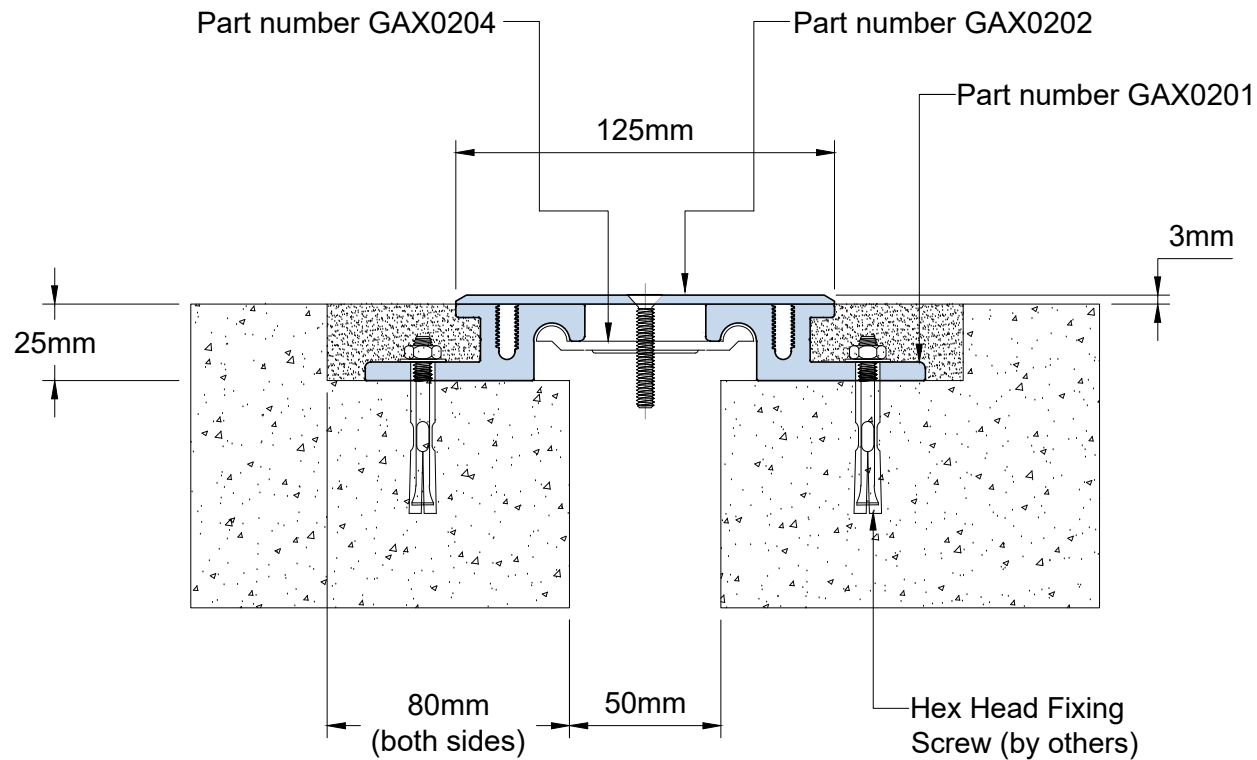


# GAS050 SYSTEM



## Technical Data

Joint Width	50mm
Movement ( <i>Expansion</i> )	50%
Movement ( <i>Contraction</i> )	50%
Movement ( <i>Shear</i> )	Excellent
Load	Heavy Duty

Date: 05/02/2026	Scale: NTS
Rev:	Drawn by: JOE

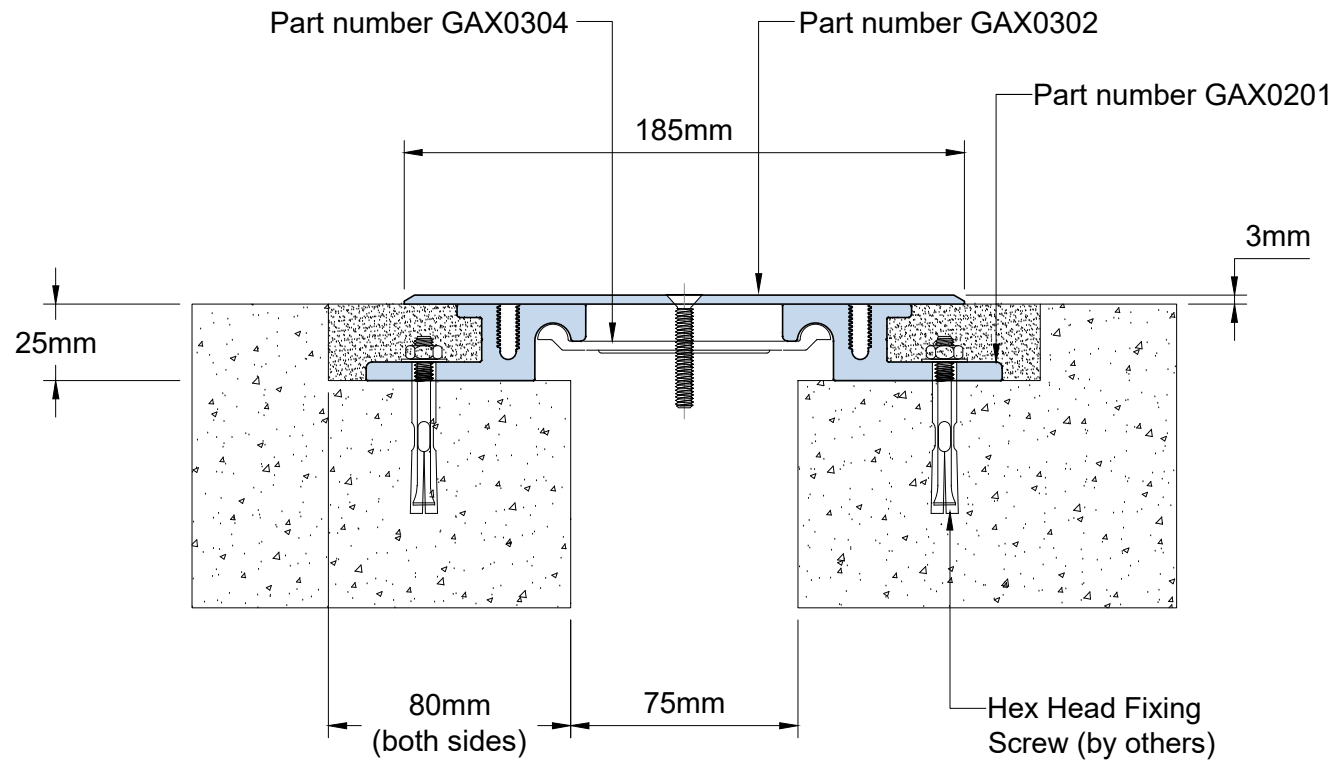
Application:  
**Expansion Joint Cover for Floor to Floor Condition**



**PROSPEC SPECIALTIES INC.**  
 100-1075 North Service Rd. W,  
 Oakville On L6M2G2,  
 Canada  
 Tel : (888) - 749 - 8456  
 Email: info@prospecspecialties.com  
 Web : prospecspecialties.com

**Disclaimer:** As Prospec Specialties' Policy is one of continual technical progress for the improvement of the company's services to its customers, the company reserves the right to modify the Designs of its products without notice.

# GAS075 SYSTEM



### Technical Data

Joint Width	75mm
Movement ( <i>Expansion</i> )	50%
Movement ( <i>Contraction</i> )	50%
Movement ( <i>Shear</i> )	Excellent
Load	Heavy Duty

Date: 05/02/2026	Scale: NTS
Rev:	Drawn by: JOE

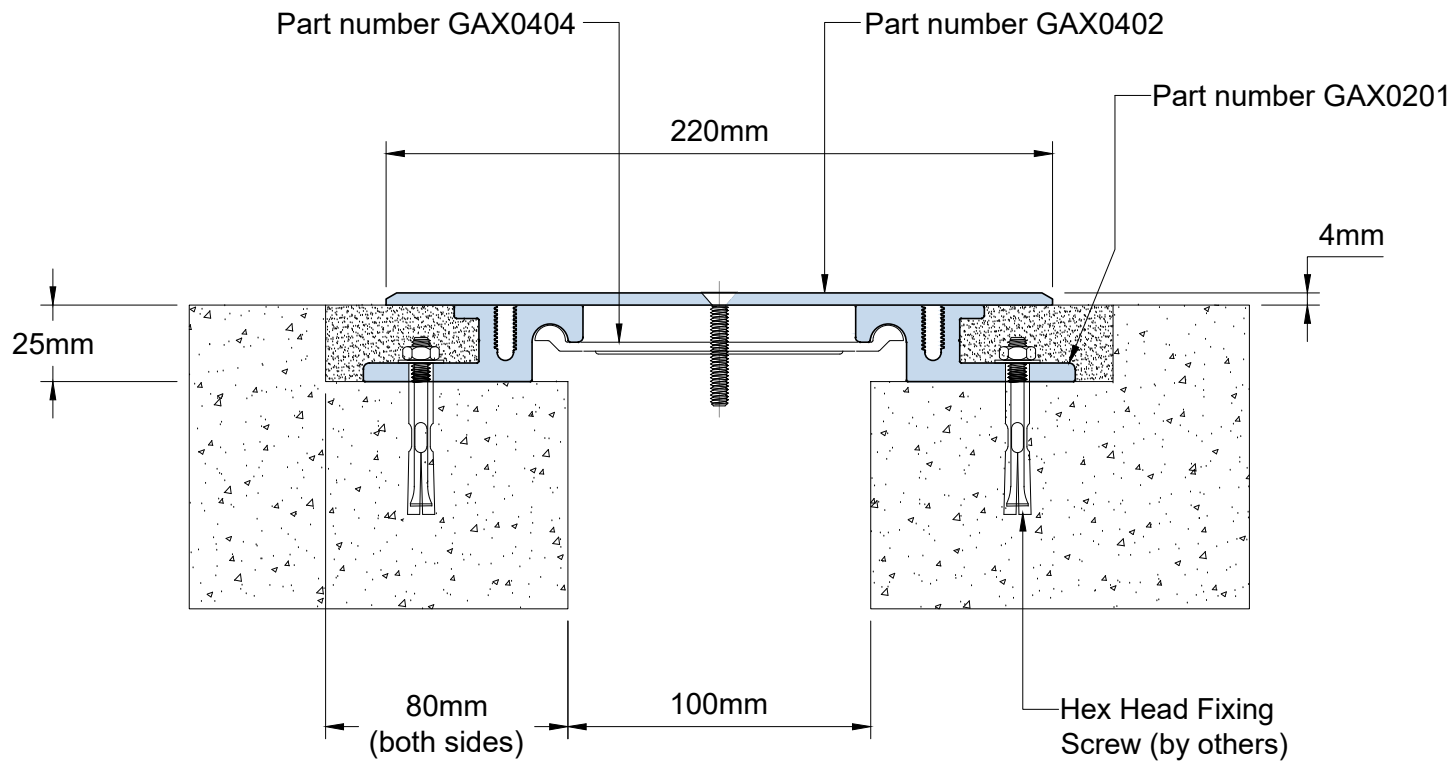
Application:  
**Expansion Joint Cover for Floor to Floor Condition**



**PROSPEC SPECIALTIES INC.**  
 100-1075 North Service Rd. W,  
 Oakville On L6M2G2,  
 Canada  
 Tel : (888) - 749 - 8456  
 Email: info@prospecspecialties.com  
 Web : prospecspecialties.com

**Disclaimer:** As Prospec Specialties' Policy is one of continual technical progress for the improvement of the company's services to its customers, the company reserves the right to modify the Designs of its products without notice.

# GAS100 SYSTEM



## Technical Data

Joint Width	100mm
Movement ( <i>Expansion</i> )	50%
Movement ( <i>Contraction</i> )	50%
Movement ( <i>Shear</i> )	Excellent
Load	Heavy Duty

Date: 05/02/2026	Scale: NTS
Rev:	Drawn by: JOE

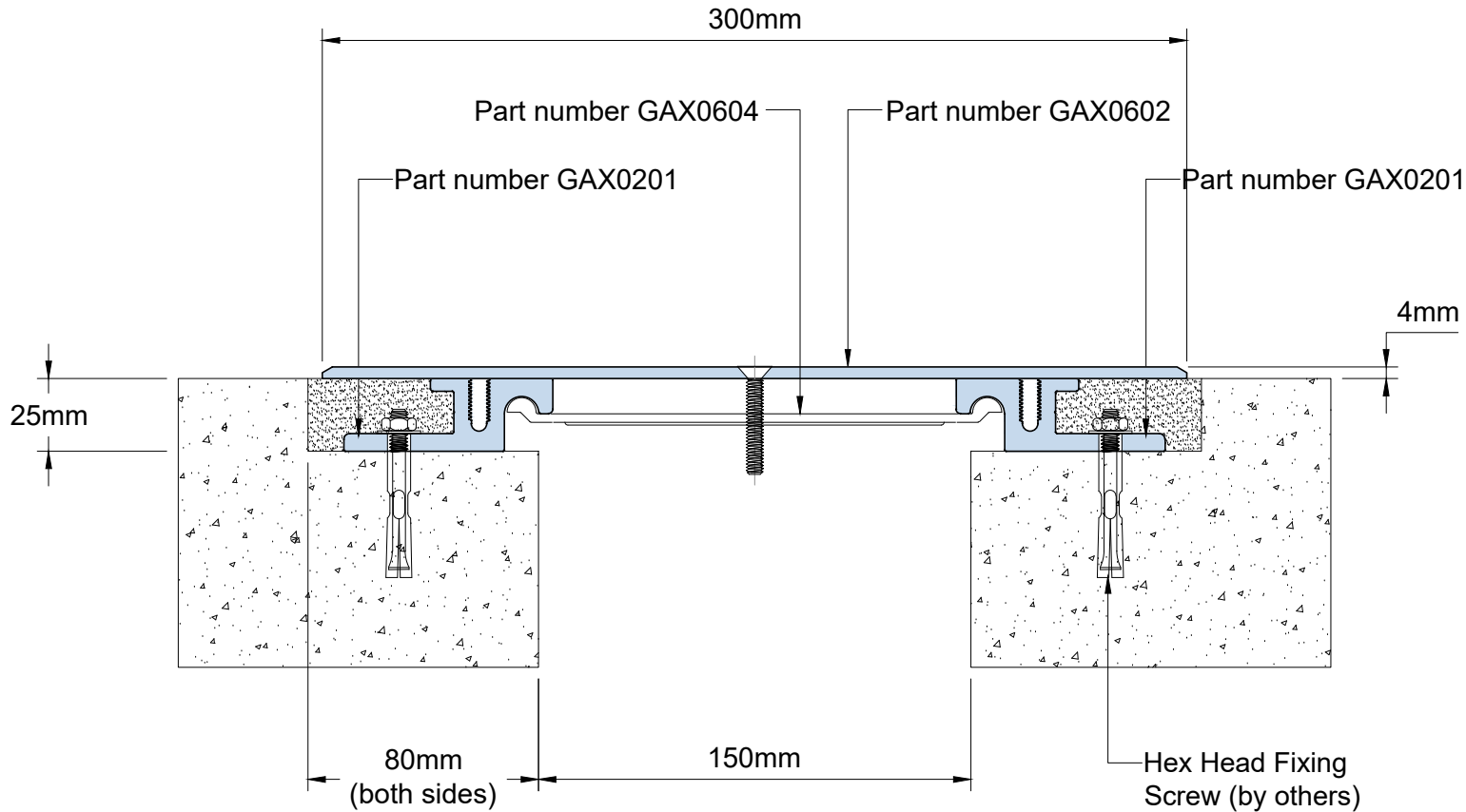
Application:  
**Expansion Joint Cover for Floor to Floor Condition**



**PROSPEC SPECIALTIES INC.**  
 100-1075 North Service Rd. W,  
 Oakville On L6M2G2,  
 Canada  
 Tel : (888) - 749 - 8456  
 Email: info@prospecspecialties.com  
 Web : prospecspecialties.com

**Disclaimer:** As Prospec Specialties' Policy is one of continual technical progress for the improvement of the company's services to its customers, the company reserves the right to modify the Designs of its products without notice.

# GAS150 SYSTEM



## Technical Data

Joint Width	150mm
Movement ( <i>Expansion</i> )	50%
Movement ( <i>Contraction</i> )	50%
Movement ( <i>Shear</i> )	Excellent
Load	Heavy Duty

Date: 05/02/2026	Scale: NTS
Rev:	Drawn by: JOE

Application:  
**Expansion Joint Cover for Floor  
to Floor Condition**



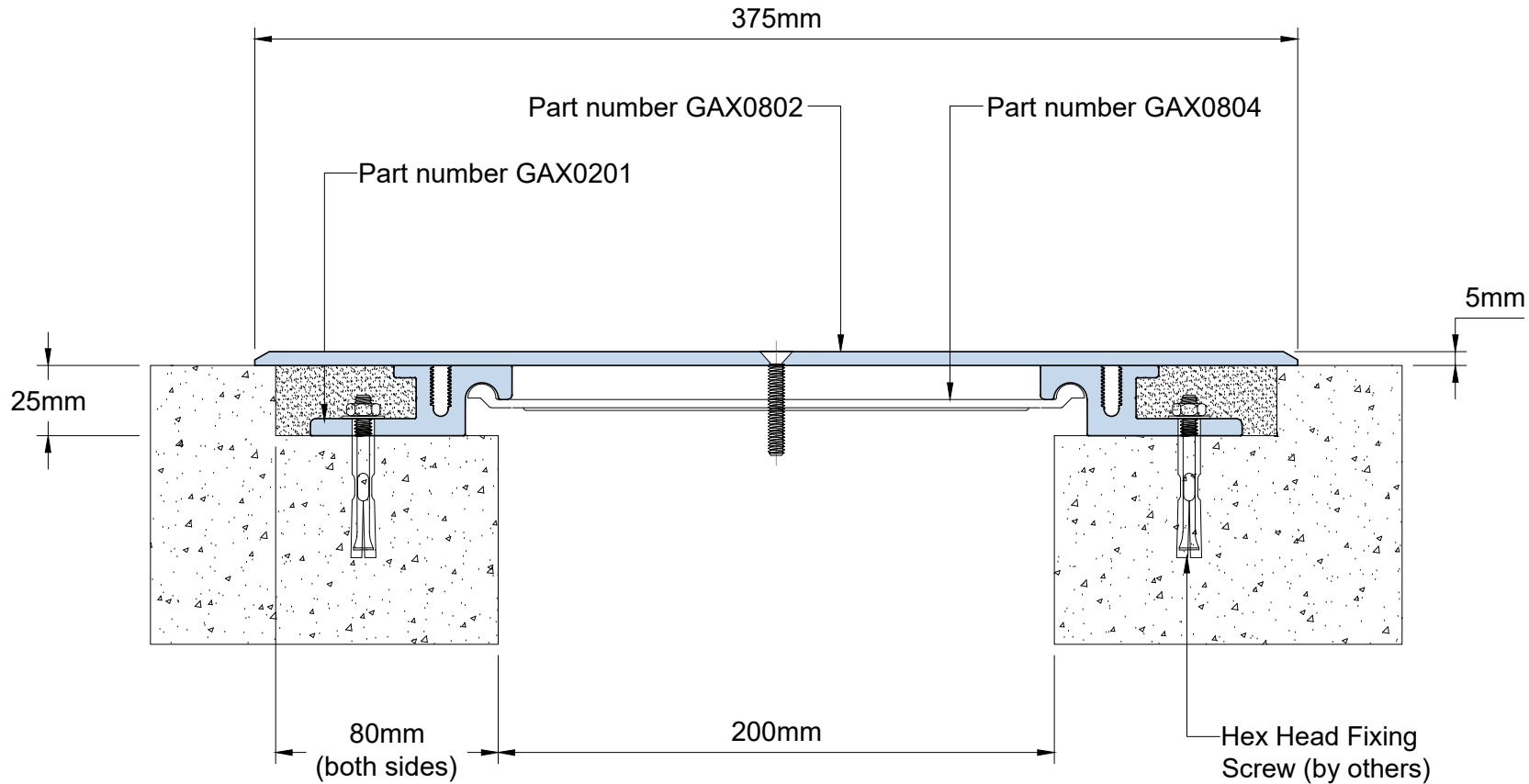
### PROSPEC SPECIALTIES INC.

100-1075 North Service Rd. W,  
Oakville On L6M2G2,  
Canada

Tel : (888) - 749 - 8456  
Email: info@prospecspecialties.com  
Web : prospecspecialties.com

**Disclaimer:** As Prospec Specialties' Policy is one of continual technical progress for the improvement of the company's services to its customers, the company reserves the right to modify the Designs of its products without notice.

# GAS200 SYSTEM



## Technical Data

Joint Width	200mm
Movement ( <i>Expansion</i> )	50%
Movement ( <i>Contraction</i> )	50%
Movement ( <i>Shear</i> )	Excellent
Load	Heavy Duty

Date: 05/02/2026	Scale: NTS
Rev:	Drawn by: JOE

### Application:

**Expansion Joint Cover for Floor to Floor Condition**



### PROSPEC SPECIALTIES INC.

100-1075 North Service Rd. W,  
Oakville On L6M2G2,  
Canada

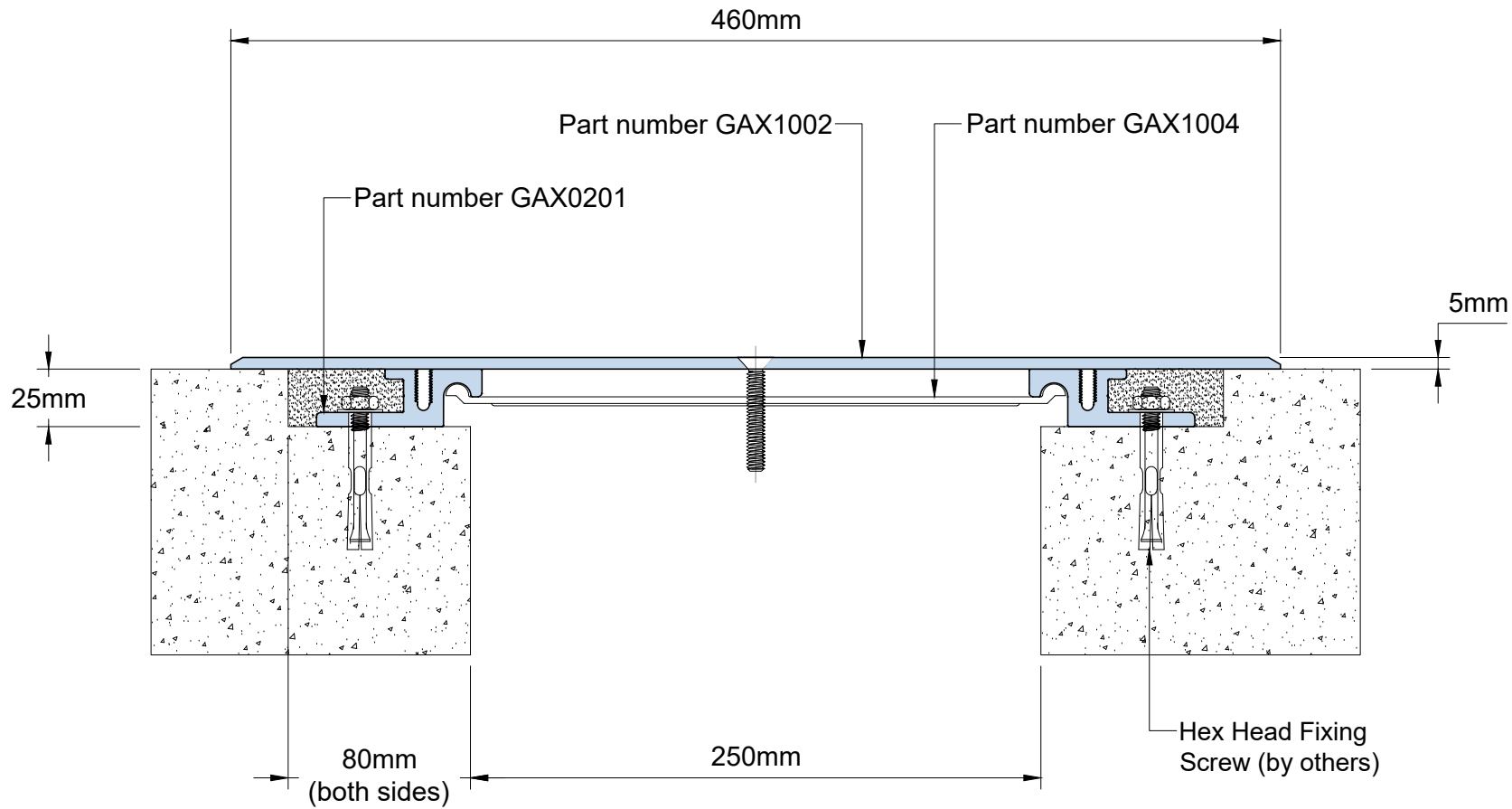
Tel : (888) - 749 - 8456

Email: [info@prospecspecialties.com](mailto:info@prospecspecialties.com)

Web : [prospecspecialties.com](http://prospecspecialties.com)

**Disclaimer:** As Prospec Specialties' Policy is one of continual technical progress for the improvement of the company's services to its customers, the company reserves the right to modify the Designs of its products without notice.

# GAS250 SYSTEM



## Technical Data

Joint Width	250mm
Movement ( <i>Expansion</i> )	50%
Movement ( <i>Contraction</i> )	50%
Movement ( <i>Shear</i> )	Excellent
Load	Heavy Duty

Date: 05/02/2026	Scale: NTS
Rev:	Drawn by: JOE

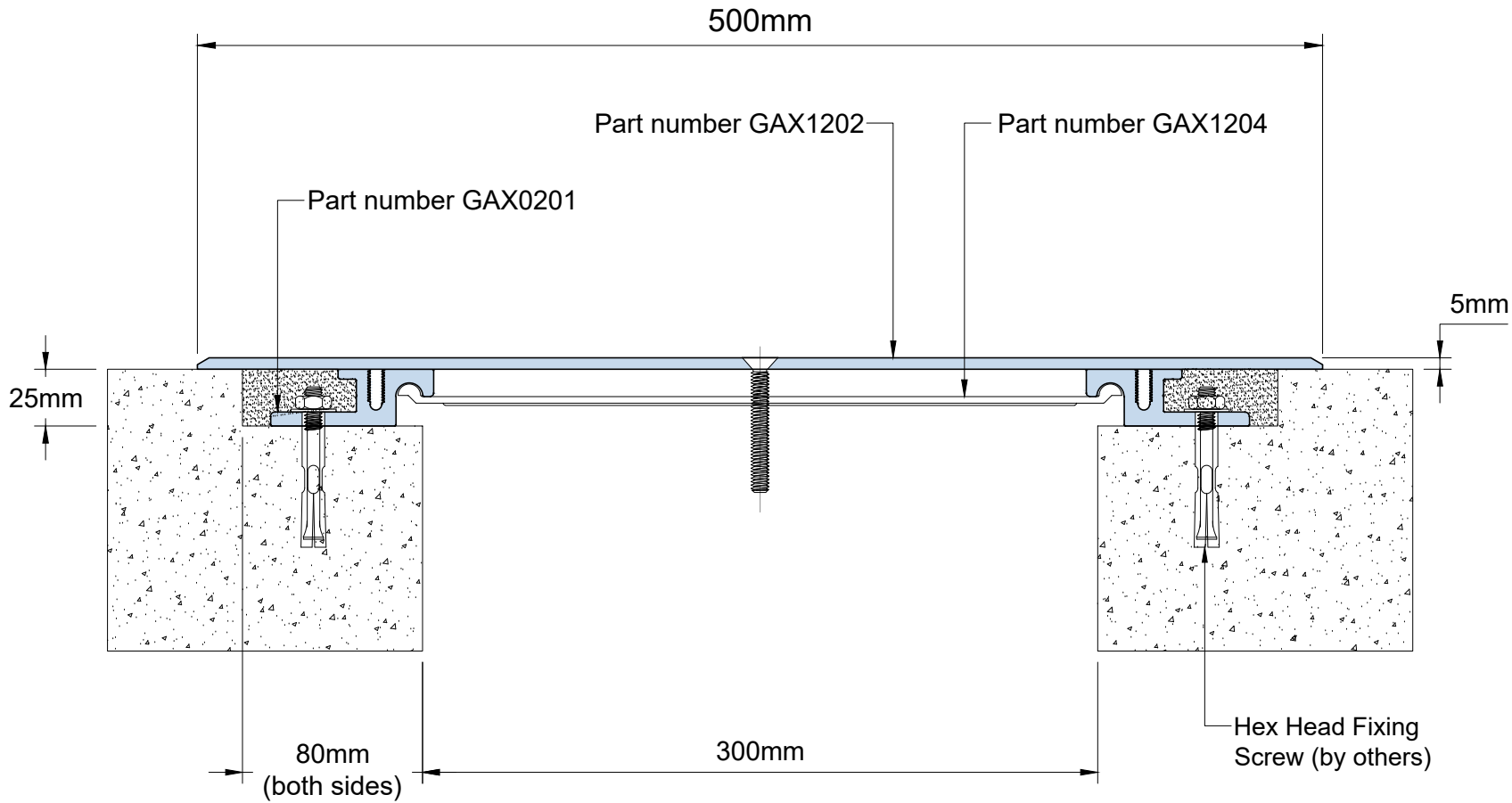
Application:  
**Expansion Joint Cover for Floor  
to Floor Condition**



**PROSPEC SPECIALTIES INC.**  
100-1075 North Service Rd. W,  
Oakville On L6M2G2,  
Canada  
Tel : (888) - 749 - 8456  
Email: info@prospecspecialties.com  
Web : prospecspecialties.com

**Disclaimer:** As Prospec Specialties' Policy is one of continual technical progress for the improvement of the company's services to its customers, the company reserves the right to modify the Designs of its products without notice.

# GAS300 SYSTEM



## Technical Data

Joint Width	300mm
Movement ( <i>Expansion</i> )	50%
Movement ( <i>Contraction</i> )	50%
Movement ( <i>Shear</i> )	Excellent
Load	Heavy Duty

Date: 16/04/2026	Scale: NTS
Rev:	Drawn by: JOE

### Application:

**Expansion Joint Cover for Floor to Floor Condition**



### PROSPEC SPECIALTIES INC.

100-1075 North Service Rd. W,  
Oakville On L6M2G2,  
Canada

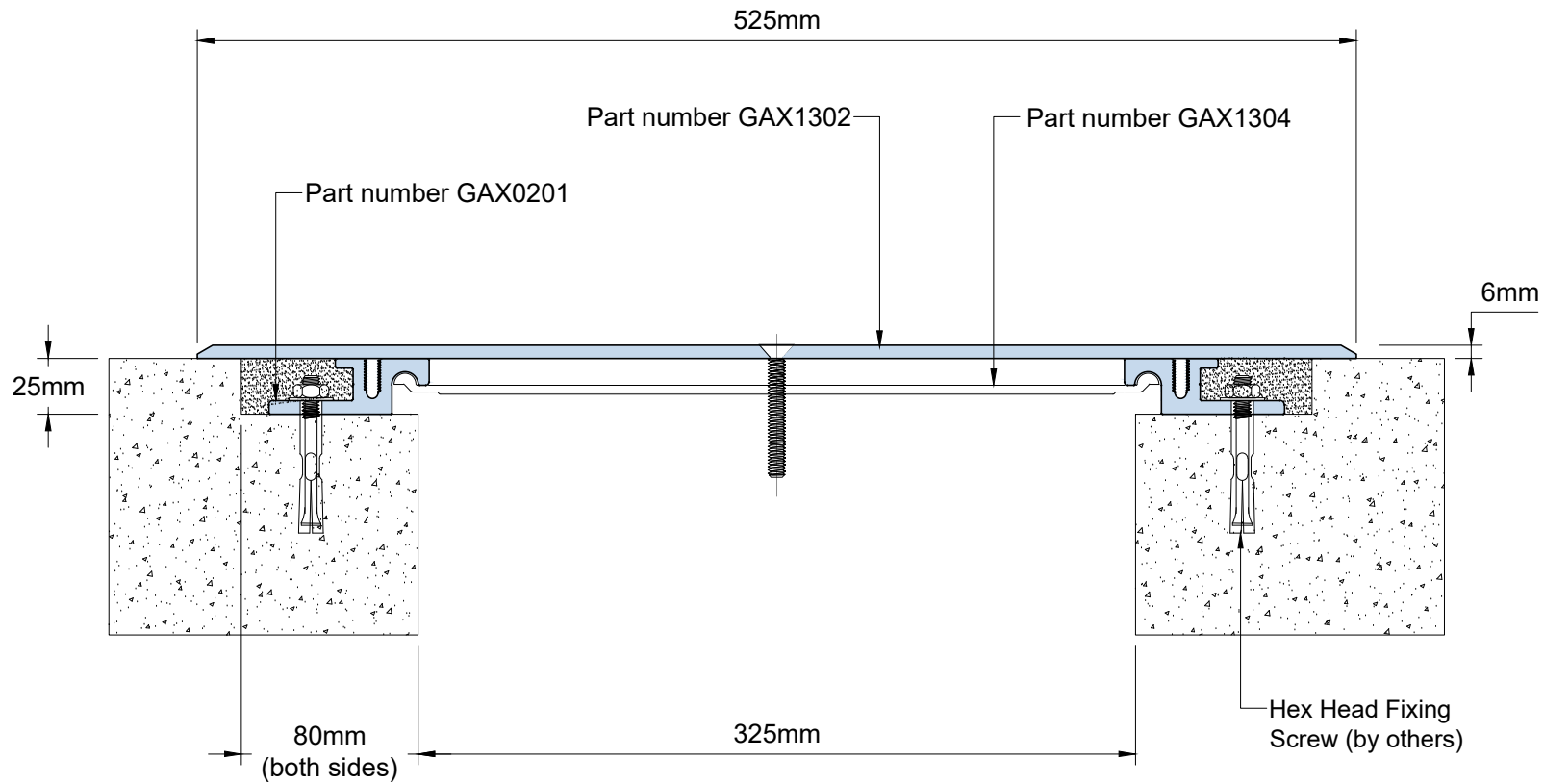
Tel : (888) - 749 - 8456

Email: [info@prospecspecialties.com](mailto:info@prospecspecialties.com)

Web : [prospecspecialties.com](http://prospecspecialties.com)

**Disclaimer:** As Prospec Specialties' Policy is one of continual technical progress for the improvement of the company's services to its customers, the company reserves the right to modify the Designs of its products without notice.

# GAS325 SYSTEM



## Technical Data

Joint Width	325mm
Movement ( <i>Expansion</i> )	50%
Movement ( <i>Contraction</i> )	50%
Movement ( <i>Shear</i> )	Excellent
Load	Heavy Duty

Date: 16/04/2026	Scale: NTS
Rev:	Drawn by: JOE

Application:  
**Expansion Joint Cover for Floor  
to Floor Condition**



**PROSPEC SPECIALTIES INC.**  
100-1075 North Service Rd. W,  
Oakville On L6M2G2,  
Canada  
Tel : (888) - 749 - 8456  
Email: info@prospecspecialties.com  
Web : prospecspecialties.com

**Disclaimer:** As Prospec Specialties' Policy is one of continual technical progress for the improvement of the company's services to its customers, the company reserves the right to modify the Designs of its products without notice.