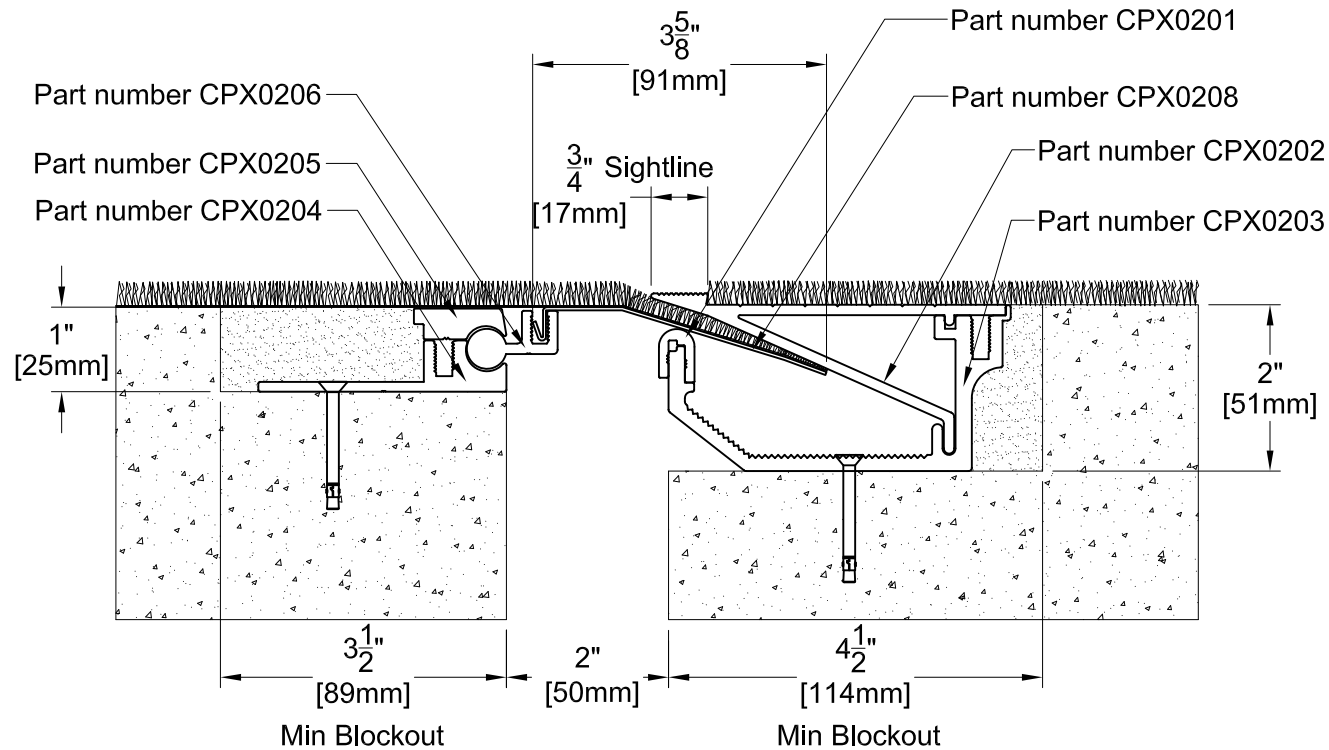


CPS02 SYSTEM



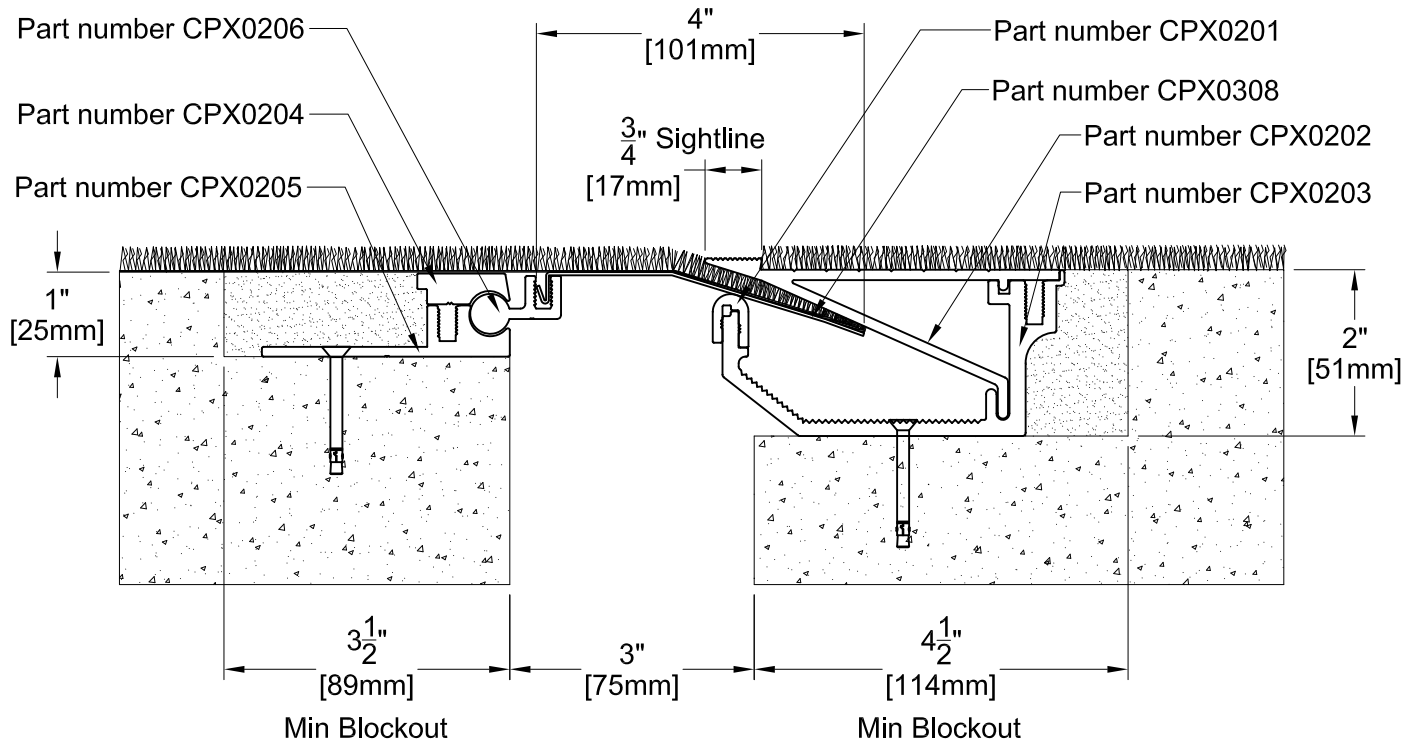
TECHNICAL DATA	IMPERIAL (Inc)	METRIC (mm)
Joint Width	2"	50
Movement ± (Horizontal)	1"	25
Movement ± (Vertical)	1"	25
Load	1 (Ton)	
Date: Feb., 2013	Scale:	
Rev:	Drawn by :	NP

APPLICATION: EXPANSION JOINT COVER FOR FLOOR TO FLOOR



PROSPEC SPECIALTIES INC.
 3601 HIGHWAY 7, SUITE 400
 MARKHAM ON L3R 0M3, CANADA.
 TEL: (888) - 749 - 8456,
 FAX: (888) - 749 - 8455
 Email: info@prospecspecialties.com
 Web: prospectspecialties.com

CPS03 SYSTEM



TECHNICAL DATA	IMPERIAL (Inc)	METRIC (mm)
Joint Width	3"	75
Movement ± (Horizontal)	3/2"	38
Movement ± (Vertical)	3/2"	38
Load	1 (Ton)	
Date: Feb., 2013	Scale:	
Rev:	Drawn by :	NP

APPLICATION: EXPANSION JOINT COVER FOR FLOOR TO FLOOR



PROSPEC SPECIALTIES INC.
 3601 HIGHWAY 7, SUITE 400
 MARKHAM ON L3R 0M3, CANADA.
 TEL: (888) - 749 - 8456,
 FAX: (888) - 749 - 8455
 Email: info@prospecspecialties.com
 Web: prospecspecialties.com